

# XCKD2139P16

Limit switch, Limit switches XC Standard, XCKD, thermoplastic roller lever Ø 50 mm, 1NC+1 NO, snap, M16



## Main

|                               |  |
|-------------------------------|--|
| Range of product              | Telemecanique Limit switches XC Standard                       |
| Series name                   | Standard format  |
| Product or component type     | Limit switch   |
| Device short name             | XCKD   |
| Sensor design                 | Compact  |
| Body type                     | Fixed  |
| Head type                     | Rotary head  |
| Material                      | Metal  |
| Body material                 | Zamak  |
| Head material                 | Zamak  |
| Fixing mode                   | By the body  |
| Movement of operating head    | Rotary   |
| Type of operator              | Spring return roller lever thermoplastic roller diameter 50 mm |
| Type of approach              | Lateral approach, 2 directions                                 |
| Number of poles               | 2  |
| Contacts type and composition | 1 NC + 1 NO  |
| Contact operation             | Snap action  |

## Complementary

|  |   |
|--|---|
| Switch actuation                       | By 30° cam  |
| Electrical connection                  | Screw-clamp terminals, clamping capacity: 1 x 0.34...2 x 1.5 mm <sup>2</sup>  |
| Cable entry                            | 1 entry tapped for M16 x 1.5 cable gland, cable outer diameter: 4...8 mm  |
| Contacts insulation form               | Zb  |
| Positive opening                       | With  |
| Minimum torque for tripping            | 0.1 N.m   |
| Maximum actuation speed                | 1.5 m/s   |
| Repeat accuracy                        | 0.1 mm on the tripping points with 1 million operating cycles   |
| Contact code designation               | A300, AC-15 (U <sub>e</sub> = 240 V), I <sub>e</sub> = 3 A, I <sub>the</sub> = 10 A conforming to EN 60947-5-1 appendix A<br>A300, AC-15 (U <sub>e</sub> = 240 V), I <sub>e</sub> = 3 A, I <sub>the</sub> = 10 A conforming to IEC 60947-5-1 appendix A<br>Q300, DC-13 (U <sub>e</sub> = 250 V), I <sub>e</sub> = 0.27 A conforming to EN 60947-5-1<br>Q300, DC-13 (U <sub>e</sub> = 250 V), I <sub>e</sub> = 0.27 A conforming to IEC 60947-5-1 appendix A |
| [Ui] rated insulation voltage          | 300 V conforming to UL 508<br>500 V (pollution degree 3) conforming to IEC 60947-1<br>300 V conforming to CSA C22.2 No 14   |
| Maximum resistance across terminals    | 25 MOhm conforming to IEC 60255-7 category 3  |
| [Uimp] rated impulse withstand voltage | 6 kV conforming to IEC 60664<br>6 kV conforming to IEC 60947-1  |
| Short-circuit protection               | 10 A cartridge fuse, type gG  |
| Electrical durability                  | 5000000 Cycles, DC-13, 120 V, 4 W, operating rate <60 cyc/mn, load factor: 0.5, DC conforming to IEC 60947-5-1 appendix C<br>5000000 Cycles, DC-13, 24 V, 10 W, operating rate <60 cyc/mn, load factor: 0.5, DC conforming to IEC 60947-5-1 appendix C<br>5000000 cycles, DC-13, 48 V, 7 W, operating rate <60 cyc/mn, load factor: 0.5, DC conforming to IEC 60947-5-1 appendix C  |
| Mechanical durability                  | 10000000 cycles   |
| Width                                  | 31 mm   |

|                               |                        |
|-------------------------------|------------------------|
| Height                        | 65 mm                  |
| Depth                         | 30 mm                  |
| Net weight                    | 0.235 kg               |
| Terminals description ISO n°1 | (21-22)NC<br>(13-14)NO |

## Environment

|                                       |   |
|---------------------------------------|---|
| Shock resistance                      | 50 gn for 11 ms conforming to IEC 60068-2-27  |
| Vibration resistance                  | 25 gn (f= 10...500 Hz) conforming to IEC 60068-2-6                                      |
| IP degree of protection               | IP66 conforming to IEC 60529<br>IP67 conforming to IEC 60529                            |
| IK degree of protection               | IK06 conforming to EN 50102   |
| Electrical shock protection class     | Class I conforming to IEC 61140<br>Class I conforming to NF C 20-030                    |
| Ambient air temperature for operation | -25...70 °C   |
| Ambient air temperature for storage   | -40...70 °C   |
| Protective treatment                  | TC  |
| Product certifications                | UL[RETURN]CSA[RETURN]CCC  |
| Standards                             | UL 508<br>EN 60947-5-1<br>CSA C22.2 No 14<br>IEC 60947-5-1<br>EN 60204-1<br>IEC 60204-1 |

## Packing Units

|                              |          |
|------------------------------|----------|
| Unit Type of Package 1       | PCE      |
| Number of Units in Package 1 | 1        |
| Package 1 Height             | 5.5 cm   |
| Package 1 Width              | 6.0 cm   |
| Package 1 Length             | 19.2 cm  |
| Package 1 Weight             | 257.0 g  |
| Unit Type of Package 2       | S01      |
| Number of Units in Package 2 | 4        |
| Package 2 Height             | 15.0 cm  |
| Package 2 Width              | 15.0 cm  |
| Package 2 Length             | 40.0 cm  |
| Package 2 Weight             | 1.263 kg |

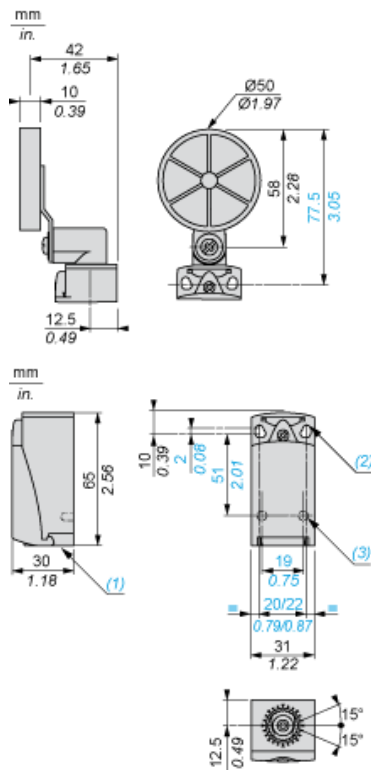
## Offer Sustainability

|  |   |
|--|---|
| Sustainable offer status                   | Green Premium product   |
| Circularity Profile                        | No need of specific recycling operations  |
| California proposition 65                  | WARNING: This product can expose you to chemicals including: Diisononyl phthalate (DINP), which is known to the State of California to cause cancer, and Di-isodecyl phthalate (DIDP), which is known to the State of California to cause birth defects or other reproductive harm. For more information go to <a href="http://www.P65Warnings.ca.gov">www.P65Warnings.ca.gov</a> |
| For all Reach Rohs enquiries contact us at | <a href="mailto:sustainability@tesensors.com">sustainability@tesensors.com</a>  |

## Contractual warranty

|          |           |
|----------|-----------|
| Warranty | 18 months |
|----------|-----------|

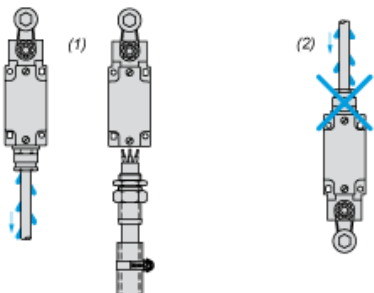
Dimensions



- (1) Tapped entry for M16 x 1.5
- (2) 2 elongated holes Ø 4.3 x 6.3 mm on 22 mm centres, 2 holes Ø 4.3 on 20 mm centres.
- (3) 2 x Ø 3 holes for support studs, depth 4 mm.

## Mounting with Cable Entry

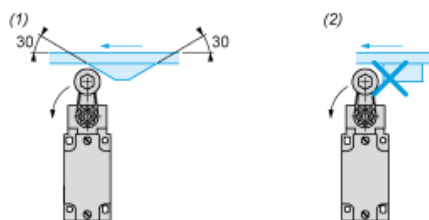
### Position of Cable Gland



- (1) Recommended
- (2) To be avoided

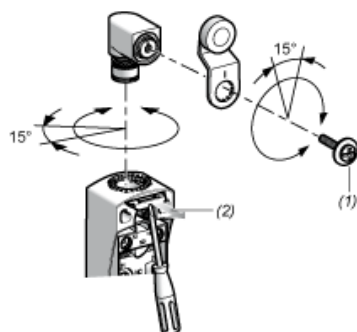
## Mounting with Rotary Heads and Levers

### Type of Cam



- (1) Recommended
- (2) To be avoided

## Setting-up with Head ZCE01 and ZCE09



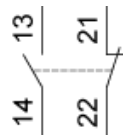
- (1) Tightening torque (Min : 1) (Max : 1.5)
- (2) Tightening torque (Min : 0.8) (Max : 1.2)

---

## Wiring Diagram

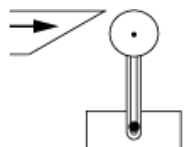
---

2-pole NC + NO Snap Action

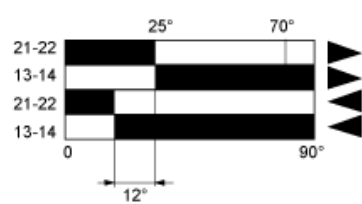


## Characteristics of Actuation

### Switch Actuation by 30° Cam



## Functionnal Diagram



- (1)
- (2)
- ▶ (4)
- ◀ (5)

- (1) Closed
- (2) Open
- (4) Tripping
- (5) Resetting