

# Product data sheet

Specifications



## Inductive proximity sensors XS, inductive sensor XS8 40x40x15, PBT, Sn25mm, 12...24 VDC, cable 2 m

XS8C1A1PBL2

### Main

|                                    |   |
|------------------------------------|---|
| Range of product                   | Telemecanique Inductive proximity sensors XS            |
| Series name                        | General purpose   |
| Sensor type                        | Inductive proximity sensor                              |
| Device application                 | -   |
| Sensor name                        | XS8   |
| Sensor design                      | Flat form 40 x 40 x 15                                  |
| Size                               | 15 mm   |
| Body type                          | Fixed   |
| Detector flush mounting acceptance | Non flush mountable                                     |
| Material                           | Plastic   |
| Enclosure material                 | PBT   |
| Type of output signal              | Discrete  |
| Wiring technique                   | 3-wire  |
| [Sn] nominal sensing distance      | 15 mm flush mountable<br>25 mm non flush mountable      |
| Discrete output function           | 1 NC  |
| Output circuit type                | DC  |
| Discrete output type               | PNP   |
| Electrical connection              | Cable   |
| Cable length                       | 2 m   |
| [Us] rated supply voltage          | 12...24 V DC with reverse polarity protection           |
| Switching capacity in mA           | <= 200 mA DC with overload and short-circuit protection |
| IP degree of protection            | IP68 double insulation conforming to IEC 60529          |

### Complementary

|                      |  |
|----------------------|--|
| Detection face       | Frontal  |
| Front material       | PBT  |
| Fine adjustment zone | 8...15 mm flush mountable<br>8...25 mm non flush mountable |
| Differential travel  | 1...15% of Sr  |

|                                 |                          |
|---------------------------------|--------------------------|
| <b>Cable composition</b>        | 3 x 0.34 mm <sup>2</sup> |
| <b>Wire insulation material</b> | PvR                      |
| <b>Supply voltage limits</b>    | 10...36 V DC             |
| <b>Maximum residual current</b> | 1.5 mA open state        |
| <b>Switching frequency</b>      | <= 1000 Hz               |
| <b>Maximum voltage drop</b>     | <2 V (closed)            |
| <b>Current consumption</b>      | <= 10 mA no-load         |
| <b>Maximum delay first up</b>   | 10 ms                    |
| <b>Maximum delay response</b>   | 0.3 ms                   |
| <b>Maximum delay recovery</b>   | 0.8 ms                   |
| <b>Marking</b>                  | CE                       |
| <b>Depth</b>                    | 15 mm                    |
| <b>Height</b>                   | 40 mm                    |
| <b>Width</b>                    | 40 mm                    |
| <b>Net weight</b>               | 0.095 kg                 |

## Environment

|  |   |
|--|---|
| <b>Product certifications</b>                | CSA<br>UL<br>Ecolab   |
| <b>Ambient air temperature for operation</b> | -25...70 °C   |
| <b>Ambient air temperature for storage</b>   | -40...85 °C   |
| <b>Vibration resistance</b>                  | 25 gn amplitude = +/- 2 mm (f = 10...55 Hz) conforming to IEC 60068-2-6 |
| <b>Shock resistance</b>                      | 50 gn for 11 ms conforming to IEC 60068-2-27                            |

## Packing Units

|                                     |          |
|-------------------------------------|----------|
| <b>Unit Type of Package 1</b>       | PCE      |
| <b>Number of Units in Package 1</b> | 1        |
| <b>Package 1 Weight</b>             | 130 g    |
| <b>Package 1 Height</b>             | 13 cm    |
| <b>Package 1 width</b>              | 9.8 cm   |
| <b>Package 1 Length</b>             | 4.2 cm   |
| <b>Unit Type of Package 2</b>       | S02      |
| <b>Number of Units in Package 2</b> | 22       |
| <b>Package 2 Weight</b>             | 3.167 kg |
| <b>Package 2 Height</b>             | 15 cm    |
| <b>Package 2 width</b>              | 30 cm    |
| <b>Package 2 Length</b>             | 40 cm    |

## Offer Sustainability

|                                 |   |
|---------------------------------|---|
| <b>Sustainable offer status</b> | Green Premium product   |
| <b>REACH Regulation</b>         | <a href="#">REACH Declaration</a>   |
| <b>EU RoHS Directive</b>        | Pro-active compliance (Product out of EU RoHS legal scope)<br><a href="#">EU RoHS Declaration</a> |

---

|                                   |   |
|-----------------------------------|---|
| <b>Mercury free</b>               | Yes   |
| <b>RoHS exemption information</b> | <a href="#">Yes</a>   |
| <b>Environmental Disclosure</b>   | <a href="#">Product Environmental Profile</a>   |
| <b>California proposition 65</b>  | WARNING: This product can expose you to chemicals including: Diisononyl phthalate (DINP), which is known to the State of California to cause cancer, and Di-isodecyl phthalate (DIDP), which is known to the State of California to cause birth defects or other reproductive harm. For more information go to <a href="http://www.P65Warnings.ca.gov">www.P65Warnings.ca.gov</a> |

---

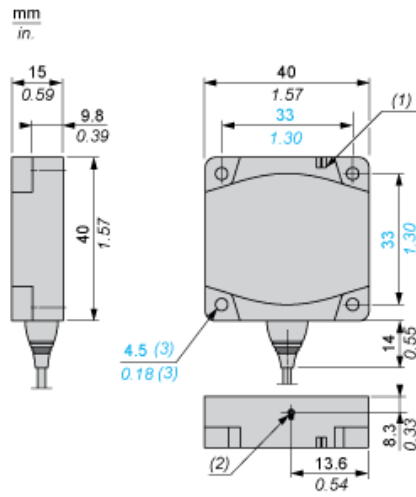
## Contractual warranty

---

|                 |           |
|-----------------|-----------|
| <b>Warranty</b> | 18 months |
|-----------------|-----------|

---

Dimensions



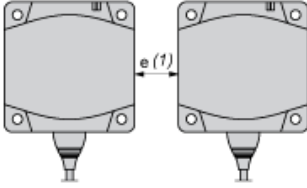
- (1) LED
- (2) Teach mode button
- (3) For CHC type screws

**Setting-up**

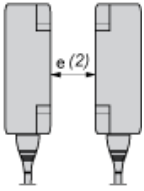
---

**Minimum Mounting Distances (mm)**

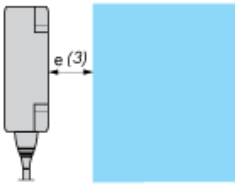
Side by Side



Face to Face



Facing a Metal Object

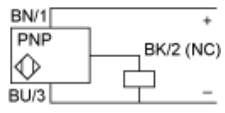


|                   | e (1) | e (2) | e (3) |
|-------------------|-------|-------|-------|
| Flush mounted     | 60    | 120   | 15    |
| Not flush mounted | 125   | 250   |       |

**Wiring Schemes**

---

**PNP**



- BU :** Blue
- BN :** Brown
- BK :** Black