

Product data sheet

Specifications



inductive sensor XS7 40x40x117 - plastic - Sn15mm - 12..48VDC - terminals

XS7C40PC440

! Discontinued on: 30 June 2014

! End-of-service on: 30 September 2014

! Discontinued

Main

Range of product	Telemecanique Inductive proximity sensors XS
Series name	General purpose
Sensor type	Inductive proximity sensor
Device application	-
Sensor name	XS7
Sensor design	Form 40 x 40 x 117
Size	117 mm
Body type	Fixed
Detector flush mounting acceptance	Flush mountable
Material	Plastic
Enclosure material	Plastic
Type of output signal	Discrete
Wiring technique	4-wire
[Sn] nominal sensing distance	15 mm
Discrete output function	1 NO + 1 NC
Output circuit type	DC
Discrete output type	PNP
Electrical connection	Screw-clamp terminals, 4 x 1.5 mm ²
[Us] rated supply voltage	12...48 V DC with reverse polarity protection
Switching capacity in mA	<= 200 mA with overload and short-circuit protection
IP degree of protection	IP67 conforming to IEC 60529

Complementary

Detection face	5 positions turret head
Front material	Plastic
Operating zone	0...12 mm
Differential travel	3...20% of Sr

Repeat accuracy	<= 3% of Sr
Status LED	Supply on: 1 LED (green) Output state: 1 LED (yellow)
Supply voltage limits	10...58 V DC
Switching frequency	<= 1000 Hz
Maximum voltage drop	<2 V (closed)
Current consumption	0...10 mA no-load
Maximum delay first up	5 ms
Maximum delay response	0.3 ms
Maximum delay recovery	0.7 ms
Marking	CE
Height	40 mm
Length	40 mm
Width	117 mm
Net weight	0.22 kg

Environment

Product certifications	C-Tick UL CCC CSA
Ambient air temperature for operation	-25...70 °C

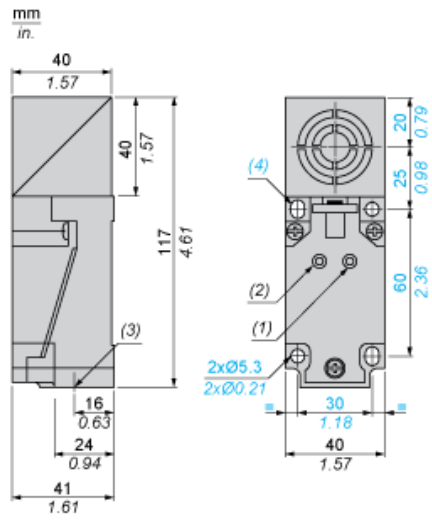
Packing Units

Package 1 Weight	0.250 kg
Package 1 Height	0.460 dm
Package 1 width	0.480 dm
Package 1 Length	1.420 dm

Contractual warranty

Warranty	18 months
-----------------	-----------

Dimensions

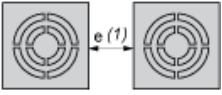


- (1) Output LED
- (2) Supply LED
- (3) 1 tapped entry for Pg 13.5 cable gland
- (4) 2 elongated holes \varnothing 5.3 x 7

Setting-up

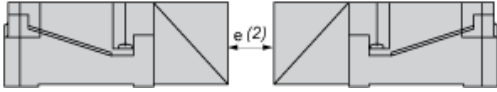
Minimum Mounting Distances (mm)

Side by Side



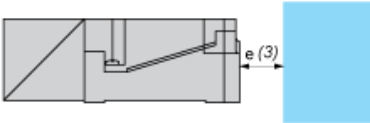
$e (1) \geq 40$

Face to Face



$e (2) \geq 120$

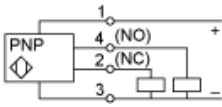
Facing a Metal Object



$e (3) \geq 45$

Wiring Schemes

4-Wire DC



Recommended replacement(s)

XS7C40PC440 is replaced by:



Inductive proximity sensors XS, inductive sensor XS8 40x40x117, PBT, Sn20 mm,
12...48 VDC, terminals

XS8C4A1PCG13
