

# Product data sheet

Specifications



## inductive sensor XS7 40x40x117 - plastic - Sn15mm - 24..240VAC - terminals

XS7C40FP260

! Discontinued on: 30 June 2014

! End-of-service on: 30 September 2014

! Discontinued

### Main

Range of product	Telemecanique Inductive proximity sensors XS
Series name	General purpose
Sensor type	Inductive proximity sensor
Device application	-
Sensor name	XS7
Sensor design	Form 40 x 40 x 117
Size	117 mm
Body type	Fixed
Detector flush mounting acceptance	Flush mountable
Material	Plastic
Enclosure material	Plastic
Type of output signal	Discrete
Wiring technique	2-wire
[Sn] nominal sensing distance	15 mm
Discrete output function	1 NO or 1 NC programmable
Output circuit type	AC
Electrical connection	Screw-clamp terminals, 2 x 1.5 mm <sup>2</sup>
[Us] rated supply voltage	24...240 V AC 50/60 Hz
Switching capacity in mA	5...500 mA
IP degree of protection	IP67 conforming to IEC 60529

### Complementary

Detection face	5 positions turret head
Front material	Plastic
Operating zone	0...12 mm
Differential travel	3...20% of Sr
Repeat accuracy	<= 3% of Sr

<b>Cable entry number</b>	1 tapped entry for Pg 13.5 cable gland
<b>Status LED</b>	Output state: 1 LED (yellow)
<b>Supply voltage limits</b>	20...264 V AC
<b>Maximum residual current</b>	1.5 mA open state
<b>Switching frequency</b>	<= 25 Hz
<b>Maximum voltage drop</b>	<5.5 V (closed)
<b>Maximum delay first up</b>	120 ms
<b>Maximum delay response</b>	30 ms
<b>Maximum delay recovery</b>	20 ms
<b>Marking</b>	CE
<b>Height</b>	40 mm
<b>Length</b>	40 mm
<b>Width</b>	117 mm
<b>Net weight</b>	0.22 kg

## Environment

<b>Product certifications</b>	UL CSA CCC C-Tick
<b>Ambient air temperature for operation</b>	-25...70 °C

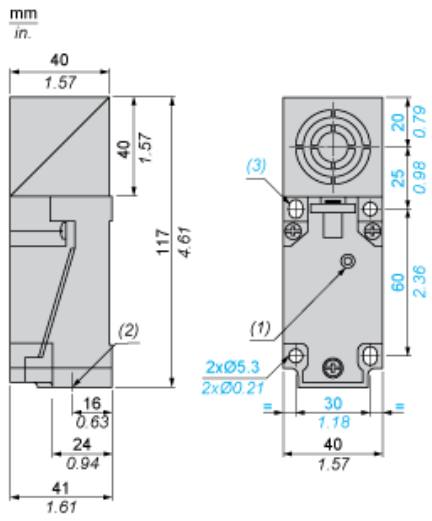
## Packing Units

<b>Package 1 Weight</b>	0.242 kg
<b>Package 1 Height</b>	0.470 dm
<b>Package 1 width</b>	0.470 dm
<b>Package 1 Length</b>	1.430 dm

## Contractual warranty

<b>Warranty</b>	18 months
-----------------	-----------

Dimensions



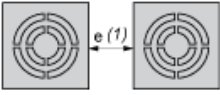
- (1) Output LED
- (2) 1 tapped entry for Pg 13.5 cable gland
- (3) 2 elongated holes  $\text{\O} 5.3 \times 7$

**Setting-up**

---

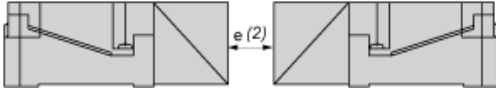
**Minimum Mounting Distances (mm)**

**Side by Side**



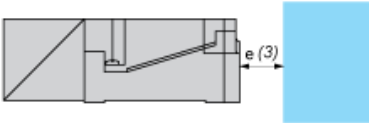
$e (1) \geq 40$

**Face to Face**



$e (2) \geq 120$

**Facing a Metal Object**

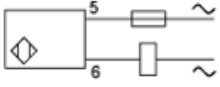


$e (3) \geq 45$

## Wiring Schemes

---

### 2-Wire AC Programmable, NO or NC Output Depending on Position of Link



### Recommended replacement(s)

XS7C40FP260 may be replaced by any of the following products:

---

1x



Inductive proximity sensors XS, inductive sensor XS7 40x40x117, PBT, Sn15 mm, 24...240VAC/DC, terminals

XS7C4A1MPP20

---

1x



Inductive proximity sensors XS, inductive sensor XS7 40x40x117, PBT, Sn15 mm, 24...240VAC/DC, terminals

XS7C4A1MPG13

---