

# Product data sheet

Specifications



## Small panel with keypad, with matrix screen, green, 122 x 32 pixels, 24V

XBTN410

⚠ Discontinued on: Feb 17, 2021

⚠ End-of-service on: Dec 23, 2022

⚠ Discontinued

**Product availability: Non-Stock - Not normally stocked in distribution facility**

## Main

|                           |                         |
|---------------------------|-------------------------|
| Range of Product          | Magelis XBTN            |
| Product or Component Type | Small panel with keypad |
| Display Resolution        | 122 x 32 pixels         |
| Software Type             | Configuration software  |
| Software Designation      | Vijeo Designer Lite     |
| Operating System          | Magelis                 |

## Complementary

|                             |   |
|-----------------------------|---|
| Display Type                | Extra-bright matrix backlit LCD   |
| Display colour              | Green   |
| Character font              | Greek<br>Katakana<br>Chinese (simplified Chinese)<br>Cyrillic<br>ASCII  |
| [Us] rated supply voltage   | 24 V DC   |
| Supply                      | External source   |
| Supply voltage limits       | 18...30 V   |
| Residual ripple             | 1200 mV   |
| Power Consumption in W      | 5 W   |
| Number of key               | 8   |
| Number of fixed keys        | 4   |
| Number of customisable keys | 4   |
| Number of pages             | 200 application pages<br>256 alarm pages  |
| Memory type                 | Flash   |
| Memory capacity             | 512 KB  |
| Integrated connection type  | Power supply removable screw terminal block<br>Serial link female SUB-D 25, asynchronous RS232C/RS485)multidrop |
| Realtime clock              | Access to the PLC real-time clock   |
| Product mounting            | Flush mounting  |
| Fixing Mode                 | By 2 spring clips   |

Price is "List Price" and may be subject to a trade discount – check with your local distributor or retailer for actual price.

|                    |                                   |
|--------------------|-----------------------------------|
| Display material   | Polyester                         |
| Front material     | PPT                               |
| Keypad material    | Polyester                         |
| Marking            | CE                                |
| Width              | 5.2 in (132 mm)                   |
| Height             | 2.9 in (74 mm)                    |
| Depth              | 1.7 in (43 mm)                    |
| cut-out dimensions | 119.4 (+/- 0.5) x 63 (+/- 0.4) mm |
| Net Weight         | 0.84 lb(US) (0.38 kg)             |

## Environment

|                                       |  |
|---------------------------------------|--|
| Messages display capacity             | 1 line of 5 characters minimum<br>4 lines of 20 characters maximum           |
| Downloadable protocols                | Modbus<br>Third party protocols<br>Uni-TE                                    |
| Standards                             | CSA C22.2 No 14<br>IEC 61131-2<br>IEC 60068-2-27<br>IEC 60068-2-6<br>UL 508  |
| Product Certifications                | ATEX zone 2/22<br>UL Class 1 Division 2<br>UL 1604<br>CSA Class 1 Division 2 |
| Ambient Air Temperature for Operation | 32...131 °F (0...55 °C)  |
| Ambient Air Temperature for Storage   | -4...140 °F (-20...60 °C)  |
| Relative humidity                     | 0...85 % without condensation  |
| IP degree of protection               | IP20 IEC 60529 rear panel)<br>IP65 IEC 60529 front panel)                    |
| NEMA degree of protection             | NEMA 4X front panel outdoor use)   |
| Shock resistance                      | 15 gn 11 ms  |
| Vibration resistance                  | +/- 3.5 mm 2...8.45 Hz)<br>1 gn 8.45...150 Hz)                               |

## Ordering and shipping details

|                   |               |
|-------------------|---------------|
| Category          | US10MC222570  |
| Discount Schedule | 0MC2          |
| GTIN              | 3389119000024 |
| Returnability     | No            |
| Country of origin | CN            |

## Packing Units

|                              |                |
|------------------------------|----------------|
| Unit Type of Package 1       | PCE            |
| Number of Units in Package 1 | 1              |
| Package 1 Height             | 2.0 in (5 cm)  |
| Package 1 Width              | 6.3 in (16 cm) |

|                                     |                          |
|-------------------------------------|--------------------------|
| <b>Package 1 Length</b>             | 9.2 in (23.3 cm)         |
| <b>Package 1 Weight</b>             | 15.9 oz (451 g)          |
| <b>Unit Type of Package 2</b>       | S03                      |
| <b>Number of Units in Package 2</b> | 11                       |
| <b>Package 2 Height</b>             | 11.8 in (30 cm)          |
| <b>Package 2 Width</b>              | 11.8 in (30 cm)          |
| <b>Package 2 Length</b>             | 15.7 in (40 cm)          |
| <b>Package 2 Weight</b>             | 12.630 lb(US) (5.729 kg) |

## Contractual warranty

|                 |           |
|-----------------|-----------|
| <b>Warranty</b> | 18 months |
|-----------------|-----------|

## Sustainability

**Green Premium™ label** is Schneider Electric's commitment to delivering products with best-in-class environmental performance. Green Premium promises compliance with the latest regulations, transparency on environmental impacts, as well as circular and low-CO<sub>2</sub> products.

**Guide to assessing product sustainability** is a white paper that clarifies global eco-label standards and how to interpret environmental declarations.

[Learn more about Green Premium >](#)

[Guide to assess a product's sustainability >](#)

## Well-being performance

✓ Reach Free Of Svhc

---

✓ Mercury Free

---

✓ Rohs Exemption Information [Yes](#)

---

**Eu Rohs Directive** Pro-active compliance (Product out of EU RoHS legal scope)

---

**China Rohs Regulation** [China RoHS declaration](#)

---

**Weee** The product must be disposed on European Union markets following specific waste collection and never end up in rubbish bins.

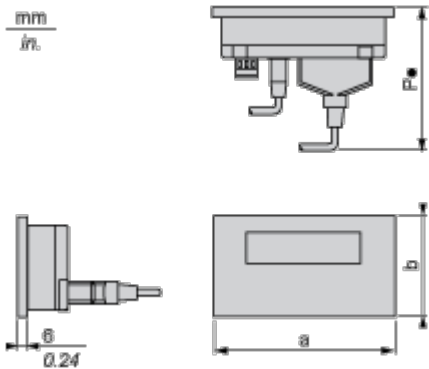
---

**California Proposition 65** WARNING: This product can expose you to chemicals including: Lead and lead compounds, which is known to the State of California to cause cancer and birth defects or other reproductive harm. For more information go to [www.P65Warnings.ca.gov](http://www.P65Warnings.ca.gov)

---

Dimensions Drawings

Dimensions



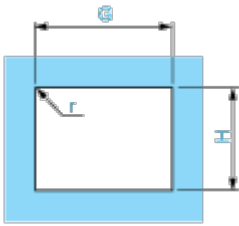
| a   |      | b  |     | b1 (1) |      | P3 (2) |      | P4 (3) |      |
|-----|------|----|-----|--------|------|--------|------|--------|------|
| mm  | in.  | mm | in. | mm     | in.  | mm     | in.  | mm     | in.  |
| 132 | 5.19 | 74 | 3   | 104    | 4.09 | 58     | 2.28 | 104    | 4.09 |

- (1) With fixing clips (included with product)
- (2) P3: depth with 25-way SUB-D angled cable XBTZ9680 (for Twido, TSX Micro and Premium) or XBTZ998 (for Modicon STB)
- (3) P4: depth with 25-way SUB-D cable XBTZ68/Z9681(for Twido, TSX Micro and Premium)

Mounting and Clearance

**Cut-out for Flush Mounting**

---



Panel thickness = 1.5...6 mm / 0.05...0.23 in.

| H       |           | G       |           | r max. |      |
|---------|-----------|---------|-----------|--------|------|
| ±0.4 mm | ±0.02 in. | ±0.5 mm | ±0.02 in. | mm     | in.  |
| 63      | 2.48      | 119.4   | 5         | 1.5    | 0.05 |