

Product data sheet

Specifications



Small panel with keypad, with matrix screen, green, 122 x 32 pixels, 5V

XBTN400

⚠ Discontinued on: Feb 17, 2021

⚠ End-of-service on: Dec 23, 2022

⚠ Discontinued

Product availability: Non-Stock - Not normally stocked in distribution facility

Main

| | |
|---------------------------|-------------------------|
| Range of Product | Magelis XBTN |
| Product or Component Type | Small panel with keypad |
| Display Resolution | 122 x 32 pixels |
| Software Type | Configuration software |
| Software Designation | Vijeo Designer Lite |
| Operating System | Magelis |

Complementary

| | |
|-----------------------------|--|
| Display Type | Extra-bright matrix backlit LCD |
| Display colour | Green |
| Character font | ASCII Chinese (simplified Chinese) Katakana Cyrillic Greek |
| [Us] rated supply voltage | 5 V DC |
| Supply | From PLC (terminal port) |
| Number of key | 8 |
| Number of fixed keys | 4 |
| Number of customisable keys | 4 |
| Number of pages | 256 alarm pages 200 application pages |
| Memory type | Flash |
| Memory capacity | 512 KB |
| Integrated connection type | Serial link female RJ45, asynchronous RS232C/RS485)point-to-point |
| Realtime clock | Access to the PLC real-time clock |
| Product mounting | Flush mounting |
| Fixing Mode | By 2 spring clips |
| Display material | Polyester |
| Front material | PPT |
| Keypad material | Polyester |
| Marking | CE |

Price is "List Price" and may be subject to a trade discount – check with your local distributor or retailer for actual price.

| | |
|---------------------------|-----------------------------------|
| Width | 5.2 in (132 mm) |
| Height | 2.9 in (74 mm) |
| Depth | 1.7 in (43 mm) |
| cut-out dimensions | 119.4 (+/- 0.5) x 63 (+/- 0.4) mm |
| Net Weight | 0.79 lb(US) (0.36 kg) |

Environment

| | |
|--|--|
| Messages display capacity | 4 lines of 20 characters maximum 1 line of 5 characters minimum |
| Downloadable protocols | Uni-TE Modbus |
| Standards | UL 508 IEC 61131-2 CSA C22.2 No 14 IEC 60068-2-27 IEC 60068-2-6 |
| Product Certifications | CSA Class 1 Division 2 UL 1604 UL Class 1 Division 2 ATEX zone 2/22 |
| Ambient Air Temperature for Operation | 32...131 °F (0...55 °C) |
| Ambient Air Temperature for Storage | -4...140 °F (-20...60 °C) |
| Relative humidity | 0...85 % without condensation |
| IP degree of protection | IP20 IEC 60529 rear panel) IP65 IEC 60529 front panel) |
| NEMA degree of protection | NEMA 4X front panel outdoor use) |
| Shock resistance | 15 gn 11 ms |
| Vibration resistance | +/- 3.5 mm 2...8.45 Hz) 1 gn 8.45...150 Hz) |

Ordering and shipping details

| | |
|--------------------------|---------------|
| Category | US10MC222570 |
| Discount Schedule | 0MC2 |
| GTIN | 3389110379952 |
| Returnability | No |
| Country of origin | US |

Packing Units

| | |
|-------------------------------------|-------------------|
| Unit Type of Package 1 | PCE |
| Number of Units in Package 1 | 1 |
| Package 1 Height | 1.7 in (4.2 cm) |
| Package 1 Width | 6.3 in (16.1 cm) |
| Package 1 Length | 9.1 in (23.2 cm) |
| Package 1 Weight | 15.5 oz (440.0 g) |
| Unit Type of Package 2 | S03 |
| Number of Units in Package 2 | 11 |
| Package 2 Height | 11.8 in (30.0 cm) |

| | |
|-------------------------|------------------------|
| Package 2 Width | 11.8 in (30.0 cm) |
| Package 2 Length | 15.7 in (40.0 cm) |
| Package 2 Weight | 11.49 lb(US) (5.21 kg) |

Contractual warranty

| | |
|-----------------|-----------|
| Warranty | 18 months |
|-----------------|-----------|

Sustainability


Green Premium™ label is Schneider Electric's commitment to delivering products with best-in-class environmental performance. Green Premium promises compliance with the latest regulations, transparency on environmental impacts, as well as circular and low-CO₂ products.

Guide to assessing product sustainability is a white paper that clarifies global eco-label standards and how to interpret environmental declarations.

[Learn more about Green Premium >](#)

[Guide to assess a product's sustainability >](#)

Well-being performance

 Mercury Free

 Rohs Exemption Information [Yes](#)

Reach Regulation [REACH Declaration](#)

Eu Rohs Directive Pro-active compliance (Product out of EU RoHS legal scope)

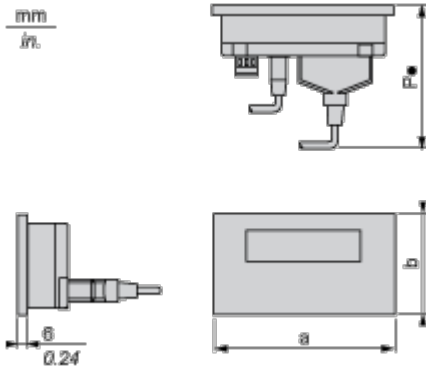
China Rohs Regulation [China RoHS declaration](#)

Weee The product must be disposed on European Union markets following specific waste collection and never end up in rubbish bins.

California Proposition 65 WARNING: This product can expose you to chemicals including: Lead and lead compounds, which is known to the State of California to cause cancer and birth defects or other reproductive harm. For more information go to www.P65Warnings.ca.gov

Dimensions Drawings

Dimensions

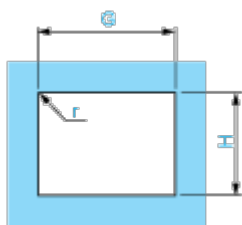


| a | | b | | b1 (1) | | P1 (2) | |
|-----|------|----|-----|--------|------|--------|------|
| mm | in. | mm | in. | mm | in. | mm | in. |
| 132 | 5.19 | 74 | 3 | 104 | 4.09 | 78 | 3.07 |

- (1) With fixing clips (included with product)
- (2) P1: depth with RJ45 cable XBTZ9780 (for Twido, TSX Micro and Premium)

Mounting and Clearance

Cut-out for Flush Mounting



Panel thickness = 1.5...6 mm / 0.05...0.23 in.

| H | | G | | r max. | |
|---------|-----------|---------|-----------|--------|------|
| ±0.4 mm | ±0.02 in. | ±0.5 mm | ±0.02 in. | mm | in. |
| 63 | 2.48 | 119.4 | 5 | 1.5 | 0.05 |