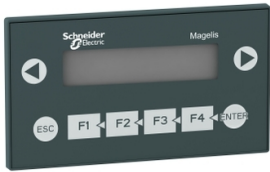


# Product data sheet

Specifications



## Small panel with keypad, with alphanumeric screen, green, 5V

XBTN200

⚠ Discontinued on: Feb 17, 2021

⚠ End-of-service on: Dec 23, 2022

⚠ Discontinued

**Product availability: Non-Stock - Not normally stocked in distribution facility**

### Main

Range of Product	Magelis XBTN
Product or Component Type	Small panel with keypad
Software Type	Configuration software
Software Designation	Vijeo Designer Lite
Operating System	Magelis

### Complementary

Display Type	Extra-bright alphanumeric backlit LCD
Display colour	Green
Character font	ASCII Katakana
[Us] rated supply voltage	5 V DC
Supply	From PLC (terminal port)
Number of key	8
Number of fixed keys	4
Number of customisable keys	4
Number of pages	128 application pages
Memory type	Flash
Memory capacity	512 KB
Integrated connection type	Serial link female RJ45, asynchronous RS232C/RS485)point-to-point
Realtime clock	Access to the PLC real-time clock
Product mounting	Flush mounting
Fixing Mode	By 2 spring clips
Display material	Polyester
Front material	PPT
Keypad material	Polyester
Marking	CE
Width	5.2 in (132 mm)
Height	2.9 in (74 mm)
Depth	1.7 in (43 mm)

Price is "List Price" and may be subject to a trade discount – check with your local distributor or retailer for actual price.

<b>cut-out dimensions</b>	119.4 (+/- 0.5) x 63 (+/- 0.4) mm
<b>Net Weight</b>	0.79 lb(US) (0.36 kg)

## Environment

<b>Messages display capacity</b>	2 lines of 20 characters
<b>Downloadable protocols</b>	Uni-TE Modbus
<b>Standards</b>	IEC 60068-2-27 UL 508 IEC 61131-2 CSA C22.2 No 14 IEC 60068-2-6
<b>Product Certifications</b>	ATEX zone 2/22 UL 1604 CSA Class 1 Division 2 UL Class 1 Division 2
<b>Ambient Air Temperature for Operation</b>	32...131 °F (0...55 °C)
<b>Ambient Air Temperature for Storage</b>	-4...140 °F (-20...60 °C)
<b>Relative humidity</b>	0...85 % without condensation
<b>IP degree of protection</b>	IP20 IEC 60529 rear panel) IP65 IEC 60529 front panel)
<b>NEMA degree of protection</b>	NEMA 4X front panel outdoor use)
<b>Shock resistance</b>	15 gn 11 ms
<b>Vibration resistance</b>	+/- 3.5 mm 2...8.45 Hz) 1 gn 8.45...150 Hz)

## Ordering and shipping details

<b>Category</b>	US10MC222570
<b>Discount Schedule</b>	0MC2
<b>GTIN</b>	3389110379921
<b>Returnability</b>	No
<b>Country of origin</b>	US

## Packing Units

<b>Unit Type of Package 1</b>	PCE
<b>Number of Units in Package 1</b>	1
<b>Package 1 Height</b>	1.8 in (4.6 cm)
<b>Package 1 Width</b>	6.3 in (16.1 cm)
<b>Package 1 Length</b>	9.1 in (23.2 cm)
<b>Package 1 Weight</b>	15.4 oz (436.0 g)

## Contractual warranty

<b>Warranty</b>	18 months
-----------------	-----------

## Sustainability

**Green Premium™ label** is Schneider Electric's commitment to delivering products with best-in-class environmental performance. Green Premium promises compliance with the latest regulations, transparency on environmental impacts, as well as circular and low-CO<sub>2</sub> products.


**Guide to assessing product sustainability** is a white paper that clarifies global eco-label standards and how to interpret environmental declarations.

[Learn more about Green Premium >](#)

[Guide to assess a product's sustainability >](#)

## Well-being performance

 Mercury Free

 Rohs Exemption Information [Yes](#)

**Reach Regulation** [REACH Declaration](#)

**Eu Rohs Directive** Pro-active compliance (Product out of EU RoHS legal scope)

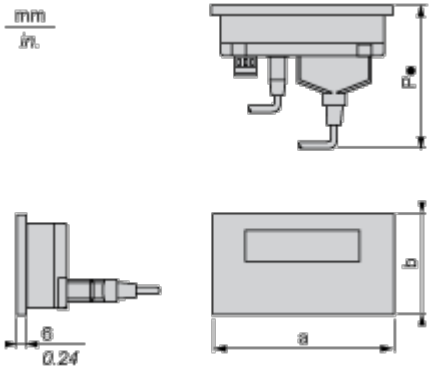
**China Rohs Regulation** [China RoHS declaration](#)

**Weee** The product must be disposed on European Union markets following specific waste collection and never end up in rubbish bins.

**California Proposition 65** WARNING: This product can expose you to chemicals including: Lead and lead compounds, which is known to the State of California to cause cancer and birth defects or other reproductive harm. For more information go to [www.P65Warnings.ca.gov](http://www.P65Warnings.ca.gov)

Dimensions Drawings

Dimensions



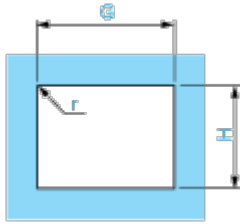
a		b		b1 (1)		P1 (2)	
mm	in.	mm	in.	mm	in.	mm	in.
132	5.19	74	3	104	4.09	78	3.07

- (1) With fixing clips (included with product)
- (2) P1: depth with RJ45 cable XBTZ9780 (for Twido, TSX Micro and Premium)

Mounting and Clearance

**Cut-out for Flush Mounting**

---



Panel thickness = 1.5...6 mm / 0.05...0.23 in.

H		G		r max.	
±0.4 mm	±0.02 in.	±0.5 mm	±0.02 in.	mm	in.
63	2.48	119.4	5	1.5	0.05