

# Product datasheet

Specifications



advanced touchscreen panel - 800 x 600 pixels SVGA - 10.4" - TFT LCD - 24 V DC

XBTGT5430

⚠ Discontinued on: Mar 30, 2022

⚠ End-of-service on: Mar 30, 2022

⚠ Discontinued - Service only

## Main

Range of product	Harmony XBTGT
Product or component type	Advanced touchscreen panel
Display type	Backlit colour TFT LCD
Display colour	65536 colours
Display resolution	800 x 600 pixels SVGA
Display size	10.4 inch
Software type	Configuration software
Software designation	Vijeo Designer
Operating system	Harmony
Processor name	CPU RISC
Processor frequency	266 MHz
Memory description	512 KB SRAM back up of data with lithium battery back-up 32 MB flash EPROM application memory
Integrated connection type	RJ45 connector COM2 serial link with RS485 interface at <= 187.5 kbit/s, compatible with Siemens MPI (187.5 kbits/s) male SUB-D 9 connector COM1 serial link with RS232C/RS422/RS485 interface at <= 115.2 kbits/s removable screw terminal block connector power supply RJ45 connector Ethernet TCP/IP 3 removable screw terminal block connector digital output removable screw terminal block connector audio output removable screw terminal block connector digital input 2USB type A master port (V1.1)
Resistance to electrostatic discharge	6 kV conforming to IEC 61000-4-2 level 3
cut-out dimensions	259 (+ 1/- 0) x 201 (+ 1/- 0) mm

## Complementary

Touch sensitive zone	1024 x 1024
Touch panel	Analogue
Backlight lifespan	50000 hours
Brightness	8 levels via touch panel
Character font	Taiwanese (traditional Chinese) Chinese (simplified Chinese) Korean Japanese (ANK, Kanji) ASCII (European characters)

<b>[Us] rated supply voltage</b>	24 V DC
<b>Supply</b>	External source
<b>Supply voltage limits</b>	19.2...28.8 V
<b>Inrush current</b>	30 A
<b>Power consumption in W</b>	30 W
<b>Local signalling</b>	1 LED (green or orange) for normal operation or backlighting faulty
<b>Number of pages</b>	Limited by internal memory capacity
<b>Downloadable protocols</b>	Telemecanique Modicon FIPWAY Telemecanique Modicon Modbus Plus Telemecanique Modicon Modbus TCP Telemecanique Modicon Modbus Mitsubishi Melsec third party protocols Omron Sysmac third party protocols Rockwell Automation Allen-Bradley third party protocols Siemens Simatic third party protocols Telemecanique Modicon Uni-TE
<b>Realtime clock</b>	Built-in
<b>Data storage equipment</b>	1 Compact Flash card >= 1 GB
<b>Use of slot</b>	For 1 fieldbus communication card (Device Net, Profibus DP)
<b>Port Ethernet</b>	10BASE-T/100BASE-TX
<b>Product mounting</b>	Flush mounting
<b>Fixing mode</b>	By 4 screw clamps By 4 spring clips
<b>Front material</b>	Aluminium alloy
<b>Enclosure material</b>	PPT
<b>Marking</b>	CE
<b>Width</b>	270.5 mm
<b>Height</b>	212.5 mm
<b>Depth</b>	57 mm
<b>Net weight</b>	2.5 kg

## Environment

<b>Immunity to microbreaks</b>	5 ms
<b>Standards</b>	IEC 61000-6-2 EN 61131-2 UL 508 FCC Class A UL 1604
<b>Product certifications</b>	cULus UL Class 1 Division 2 T4A UL Class 1 Division 2 T5 C-Tick
<b>Ambient air temperature for operation</b>	0...50 °C
<b>Ambient air temperature for storage</b>	-20...60 °C
<b>Relative humidity</b>	0...90 % without condensation
<b>Operating altitude</b>	< 2000 m
<b>IP degree of protection</b>	IP20 (rear panel) conforming to IEC 60529 IP65 (front panel) conforming to IEC 60529
<b>NEMA degree of protection</b>	NEMA 4X front panel (indoor use)

---

<b>Shock resistance</b>	15 gn for 11 ms conforming to IEC 60068-2-27
<b>Vibration resistance</b>	1 gn conforming to IEC 60068-2-6 (f = 9...150 Hz) 3.5 mm conforming to IEC 60068-2-6 (f = 5...9 Hz)
<b>Resistance to electromagnetic fields</b>	10 V/m conforming to IEC 61000-4-3
<b>Resistance to fast transients</b>	2 kV conforming to IEC 61000-4-4 level 3

---

## Contractual warranty

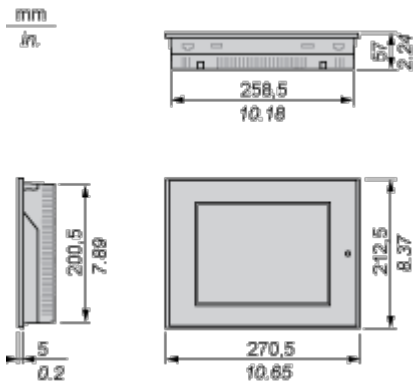
---

<b>Warranty</b>	18 months
-----------------	-----------

Dimensions Drawings

Dimensions

---



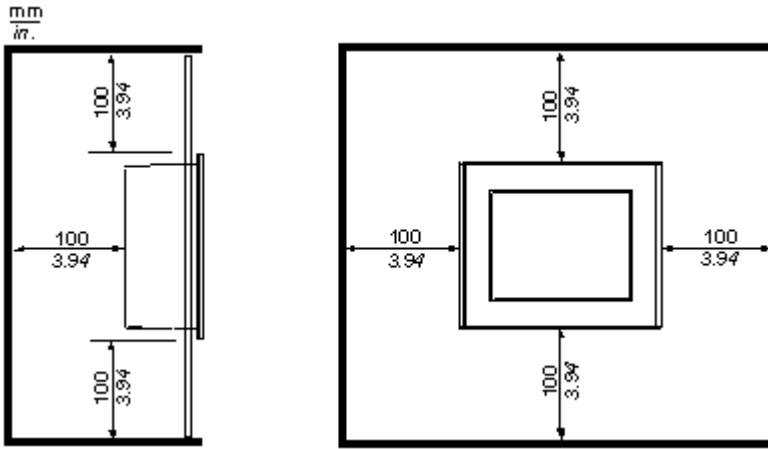
Mounting and Clearance

Clearance

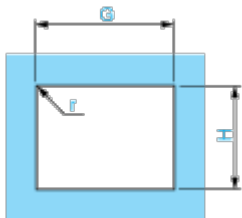
---

Installation Requirements

For easier maintenance, operation and improved ventilation, be sure to install the unit at least 100 mm (3.94 in) away from adjacent structures and other equipment:



Panel Cut-out Dimensions



Dimensions in mm

Graphic Display Terminal	Cut-out for Flush Mounting			
	H (-/+ 0.1 mm)	G (-/+ 0.1 mm)	r	Panel Thickness
XBTGT1105 XBTGT1135 XBTGT1335	92.5	118	3 max.	1.6 ... 5
XBTGT2110 XBTGT2120 XBTGT2130 XBTGT2220 XBTGT2330	123.5	156	3 max.	1.6 ... 5
XBTGT4230 XBTGT4330 XBTGT4340	159.5	204.5	3 max.	1.6 ... 10
XBTGT5230 XBTGT6330 XBTGT6340	227.5	301.5	3 max.	1.6 ... 10
XBTGT5330 XBTGT5340	201	259	3 max.	1.6 ... 10
XBTGT7340	282.5	383.5	3 max.	1.6 ... 10

Dimensions in in.

Graphic Display Terminal	Cut-out for Flush Mounting			
	H (-/+0.004 in.)	G (-/+0.004 in.)	r	Panel Thickness
XBTGT1105 XBTGT1135 XBTGT1335	3.64	4.65	0.12 max.	0.06 ... 0.20
XBTGT2110 XBTGT2120 XBTGT2130 XBTGT2220 XBTGT2330	4.86	6.14	0.12 max.	0.06 ... 0.20
XBTGT4230 XBTGT4330 XBTGT4340	6.28	8.05	0.12 max.	0.06 ... 0.39
XBTGT5230 XBTGT6330 XBTGT6340	8.96	11.87	0.12 max.	0.06 ... 0.39

Graphic Display Terminal	Cut-out for Flush Mounting			
	H (-/+0.004 in.)	G (-/+0.004 in.)	r	Panel Thickness
XBTGT5330 XBTGT5340	7.91	10.20	0.12 max.	0.06 ... 0.39
XBTGT7340	11.12	15.10	0.12 max.	0.06 ... 0.39