

Product datasheet

Specifications



7 inch wide screen, Basic model, 1 serial port, embedded RTC

HMIGXU3500

⚠ To be discontinued on: 31-Dec-2024

⚠ To be end-of-service on: 31-Dec-2025

⚠ To be discontinued

Main

Range of product	Harmony Easy GXU
Product or component type	Advanced touchscreen panel
Display type	LCD touch screen
Display colour	65536 colours
Display resolution	800 x 480 pixels WVGA
Display size	7 inch

Complementary

Backlight lifespan	20000 hours
[Us] rated supply voltage	24 V DC
Software designation	Vijeo Designer Basic configuration software
Memory description	Internal, 32 MB for application Internal DDR, 128 MB Internal, 128 kB for backup
Integrated connection type	COM1 serial link: 9-way male SUB-D connector, RS422/RS485 USB type mini B
cut-out dimensions	190 x 135 mm

Environment

Quality labels	CE
Ambient air temperature for operation	0...50 °C
Ambient air temperature for storage	-20...60 °C
IP degree of protection	IP65 (front panel)

Packing Units

Unit Type of Package 1	PCE
Number of Units in Package 1	1
Package 1 Height	9.166 cm
Package 1 Width	18.001 cm
Package 1 Length	25.741 cm
Package 1 Weight	881 g
Unit Type of Package 2	S04

Number of Units in Package 2	12
Package 2 Height	30 cm
Package 2 Width	40 cm
Package 2 Length	60 cm
Package 2 Weight	11585.5 g
Unit Type of Package 3	P12
Number of Units in Package 3	144
Package 3 Height	95 cm
Package 3 Width	80 cm
Package 3 Length	120 cm
Package 3 Weight	148026 g

Sustainability


Green Premium™ label is Schneider Electric's commitment to delivering products with best-in-class environmental performance. Green Premium promises compliance with the latest regulations, transparency on environmental impacts, as well as circular and low-CO₂ products.


Guide to assessing product sustainability is a white paper that clarifies global eco-label standards and how to interpret environmental declarations.

[Learn more about Green Premium >](#)

[Guide to assess a product's sustainability >](#)

Well-being performance

 Mercury Free

 Rohs Exemption Information [Yes](#)

Reach Regulation [REACH Declaration](#)

Eu Rohs Directive Pro-active compliance (Product out of EU RoHS legal scope)

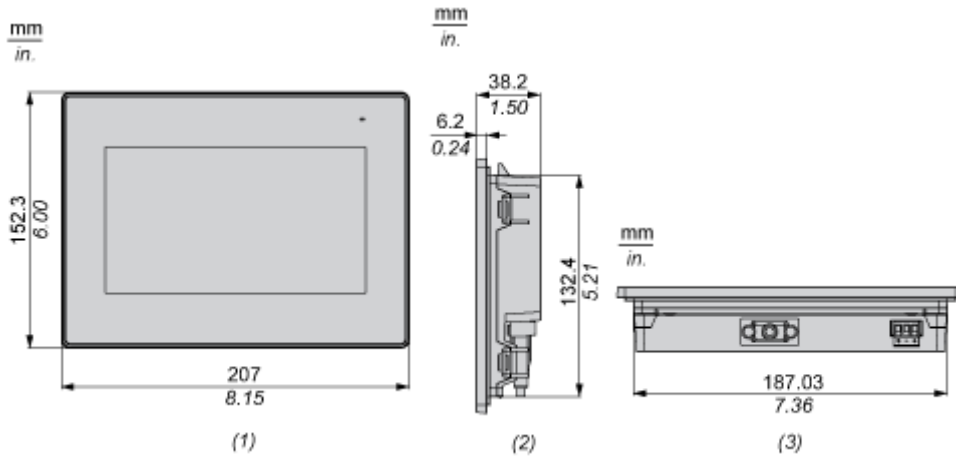
China Rohs Regulation [China RoHS declaration](#)

Weee The product must be disposed on European Union markets following specific waste collection and never end up in rubbish bins

Dimensions Drawings

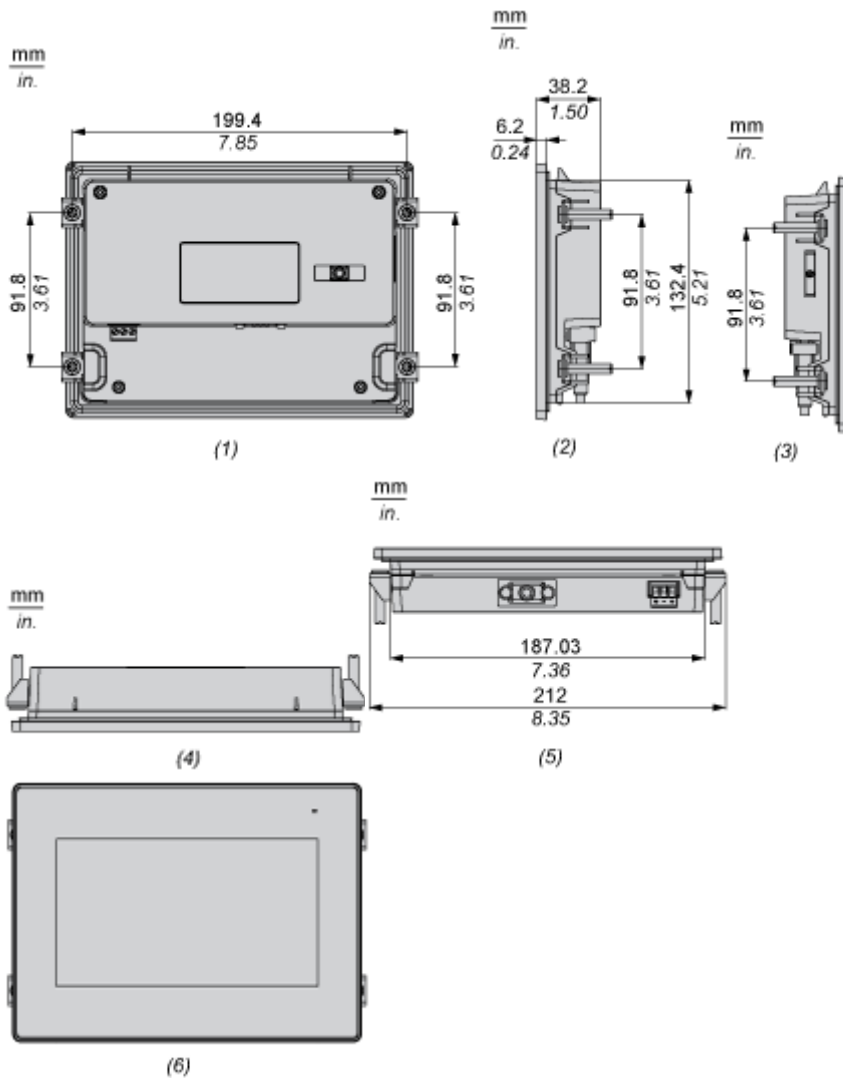
Dimensions

External Dimensions



- (1) Front
- (2) Right
- (3) Bottom

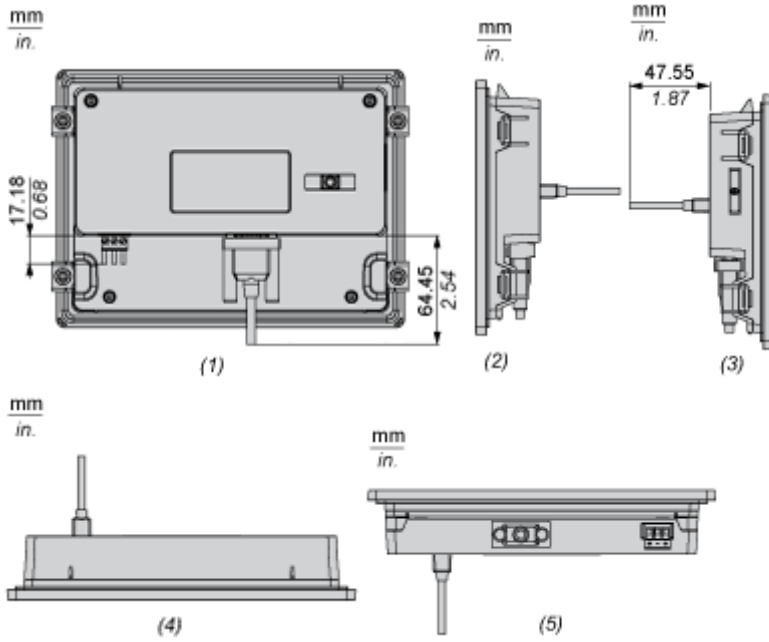
Installation with Installation Fasteners



- (1) Rear
- (2) Right

- (3) Left
- (4) Top
- (5) Bottom
- (6) Front

Dimensions with Cables

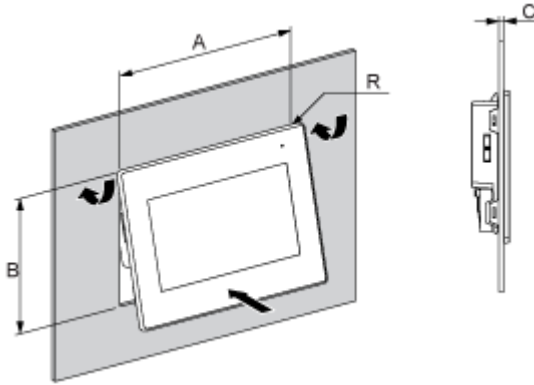


- (1) Rear
- (2) Right
- (3) Left
- (4) Top
- (5) Bottom

Mounting and Clearance

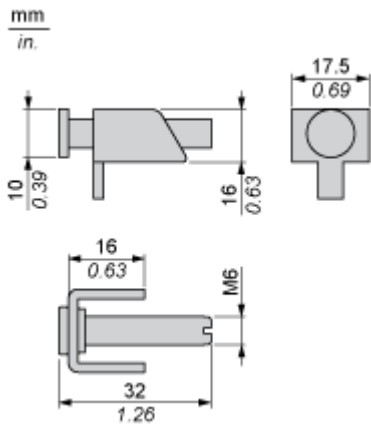
Mounting

Panel Cut Dimensions



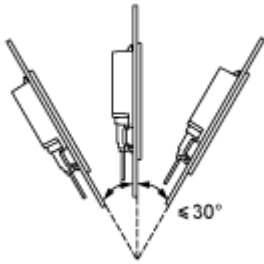
A		B		C		R	
mm	in.	mm	in.	mm	in.	mm	in.
190±1	7.48±0.04	135±0.7	5.31±0.03	1...5	0.04...0.19	3 max	0.12 max.

Installation Fasteners Dimensions



Installation Requirements

Mounting Angle



When installing the panel in a slanted position, and the panel face inclines more than 30°, the ambient temperature must not exceed 40 °C (104 °F).

Clearance

