

# Product data sheet

Specifications



variable speed drive, Altivar Machine ATV340, 22kW, heavy duty, 400V, 3 phases, Ethernet

ATV340D22N4E

Product availability: Stock - Normally stocked in distribution facility

**Price\*: 4,329.90 USD**

## Main

Range of Product	Altivar Machine ATV340
Product or Component Type	Variable speed drive
Product Specific Application	Machine
variant	Standard version
Mounting Mode	Cabinet mount
Communication Port Protocol	Modbus TCP EtherNet/IP Modbus serial
Phase	3 phase
Supply frequency	50...60 Hz +/- 5 %
[Us] rated supply voltage	380...480 V - 15...10 %
Nominal output current	46.0 A
Motor power kW	30 kW normal duty 22 kW heavy duty
Maximum Horse Power Rating	40 hp normal duty 30 hp heavy duty
EMC filter	Class C3 EMC filter integrated
IP degree of protection	IP20

## Complementary

Discrete input number	5
Discrete input type	PT1 programmable as pulse input 0...30 kHz, 24 V DC 30 V) DI1...DI5 safe torque off, 24 V DC 30 V)3.5 kOhm programmable
number of preset speeds	16 preset speeds
Discrete output number	2.0
Discrete output type	Programmable output DQ1, DQ2 30 V DC 100 mA
Analogue input number	2
Analogue input type	AI1 software-configurable current 0...20 mA 250 Ohm 12 bits AI1 software-configurable temperature probe or water level sensor AI1 software-configurable voltage 0...10 V DC 31.5 kOhm 12 bits AI2 software-configurable voltage - 10...10 V DC 31.5 kOhm 12 bits
Analogue output number	1
Analogue output type	Software-configurable voltage AQ1 0...10 V DC 470 Ohm 10 bits Software-configurable current AQ1 0...20 mA 500 Ohm 10 bits

Price is "List Price" and may be subject to a trade discount – check with your local distributor or retailer for actual price.

<b>Relay output number</b>	2
<b>Output voltage</b>	<= power supply voltage
<b>Relay output type</b>	Relay outputs R1A Relay outputs R1C 100000 cycles Relay outputs R2A Relay outputs R2C 100000 cycles
<b>Maximum switching current</b>	Relay output R1C resistive, cos phi = 1 3 A 250 V AC Relay output R1C resistive, cos phi = 1 3 A 30 V DC Relay output R1C inductive, cos phi = 0.4 7 ms 2 A 250 V AC Relay output R1C inductive, cos phi = 0.4 7 ms 2 A 30 V DC Relay output R2C resistive, cos phi = 1 5 A 250 V AC Relay output R2C resistive, cos phi = 1 5 A 30 V DC Relay output R2C inductive, cos phi = 0.4 7 ms 2 A 250 V AC Relay output R2C inductive, cos phi = 0.4 7 ms 2 A 30 V DC
<b>Minimum switching current</b>	Relay output R1B 5 mA 24 V DC Relay output R2C 5 mA 24 V DC
<b>Physical interface</b>	2-wire RS 485
<b>Connector Type</b>	3 RJ45
<b>Method of access</b>	Slave Modbus RTU Slave Modbus TCP
<b>Transmission Rate</b>	4.8 kbit/s 9.6 kbit/s 19.2 kbit/s 38.4 kbit/s
<b>Transmission frame</b>	RTU
<b>Number of addresses</b>	1...247
<b>Data format</b>	8 bits, configurable odd, even or no parity
<b>Type of polarization</b>	No impedance
<b>4 quadrant operation possible</b>	True
<b>Asynchronous motor control profile</b>	Optimized torque mode Constant torque standard Variable torque standard
<b>Synchronous motor control profile</b>	Permanent magnet motor Reluctance motor
<b>Pollution degree</b>	2 IEC 61800-5-1
<b>Maximum output frequency</b>	0.599 kHz
<b>Acceleration and deceleration ramps</b>	S, U or customized Linear adjustable separately from 0.01...9999 s
<b>Motor slip compensation</b>	Automatic whatever the load Can be suppressed Adjustable Not available in permanent magnet motor law
<b>Switching frequency</b>	2...16 kHz adjustable 6...16 kHz with derating factor
<b>Nominal switching frequency</b>	4 kHz
<b>Braking to standstill</b>	By DC injection
<b>Brake chopper integrated</b>	True
<b>Line current</b>	60.1 A 380 V normal duty) 48.6 A 480 V normal duty) 63.5 A 380 V heavy duty) 50.6 A 480 V heavy duty)

<b>Line current</b>	63.5 A 380 V without line choke heavy duty) 50.5 A 480 V without line choke heavy duty) 67.9 A 480 V with external line choke normal duty) 54.4 A 380 V with external line choke heavy duty) 64.1 A 480 V with external line choke heavy duty) 50.8 A 380 V with external line choke normal duty)
<b>Maximum Input Current per Phase</b>	63.5 A
<b>Maximum output voltage</b>	480 V
<b>Apparent power</b>	45.1 kVA 480 V normal duty) 42.1 kVA 480 V heavy duty)
<b>Maximum transient current</b>	68.2 A 60 s normal duty) 69 A 60 s heavy duty) 83.7 A 2 s normal duty) 83 A 2 s heavy duty)
<b>Electrical connection</b>	Screw terminal 0.2...2.5 mm <sup>2</sup> control Screw terminal 6...25 mm <sup>2</sup> motor Screw terminal 10...25 mm <sup>2</sup> line side Screw terminal 10...25 mm <sup>2</sup> DC bus
<b>Prospective line Isc</b>	22 kA
<b>Base load current at high overload</b>	46.0 A
<b>Base load current at low overload</b>	62.0 A
<b>Power dissipation in W</b>	Natural convection 28 W 380 V 4 kHz heavy duty) Forced convection 486 W 380 V 4 kHz heavy duty) Natural convection 39 W 380 V 4 kHz normal duty) Forced convection 631 W 380 V 4 kHz normal duty)
<b>Electrical connection</b>	Control screw terminal 0.2...2.5 mm <sup>2</sup> AWG 24...AWG 12 Motor screw terminal 6...25 mm <sup>2</sup> AWG 8...AWG 3 Line side screw terminal 10...25 mm <sup>2</sup> AWG 6...AWG 3 DC bus screw terminal 10...25 mm <sup>2</sup> AWG 6...AWG 3
<b>With safety function Safely Limited Speed (SLS)</b>	True
<b>With safety function Safe brake management (SBC/SBT)</b>	True
<b>With safety function Safe Operating Stop (SOS)</b>	False
<b>With safety function Safe Position (SP)</b>	False
<b>With safety function Safe programmable logic</b>	False
<b>With safety function Safe Speed Monitor (SSM)</b>	False
<b>With safety function Safe Stop 1 (SS1)</b>	True
<b>With sft fct Safe Stop 2 (SS2)</b>	False
<b>With safety function Safe torque off (STO)</b>	True
<b>With safety function Safely Limited Position (SLP)</b>	False
<b>With safety function Safe Direction (SDI)</b>	False

<b>Protection type</b>	Thermal protection motor Safe torque off motor Motor phase loss motor Thermal protection drive Safe torque off drive Overheating drive Overcurrent drive Output overcurrent between motor phase and earth drive Output overcurrent between motor phases drive Short-circuit between motor phase and earth drive Short-circuit between motor phases drive Motor phase loss drive DC Bus overvoltage drive Line supply overvoltage drive Line supply undervoltage drive Input supply loss drive Exceeding limit speed drive Break on the control circuit drive
<b>Width</b>	7.09 in (180.0 mm)
<b>Height</b>	15.2 in (385.0 mm)
<b>Depth</b>	9.8 in (249.0 mm)
<b>Net Weight</b>	22.5 lb(US) (10.2 kg)
<b>Continuous output current</b>	62 A 4 kHz normal duty 46 A 4 kHz heavy duty

## Environment

<b>Operating altitude</b>	<= 9842.52 ft (3000 m) with current derating above 1000m
<b>Operating position</b>	Vertical +/- 10 degree
<b>Product Certifications</b>	UL CSA TÜV EAC CTick
<b>Marking</b>	CE
<b>Standards</b>	IEC 61800-3 IEC 61800-5-1 IEC 60721-3 IEC 61508 IEC 13849-1 UL 618000-5-1 UL 508C
<b>Assembly style</b>	With heat sink
<b>Electromagnetic compatibility</b>	Electrostatic discharge immunity test level 3 IEC 61000-4-2 Radiated radio-frequency electromagnetic field immunity test level 3 IEC 61000-4-3 Electrical fast transient/burst immunity test level 4 IEC 61000-4-4 1.2/50 µs - 8/20 µs surge immunity test level 3 IEC 61000-4-5 Conducted radio-frequency immunity test level 3 IEC 61000-4-6
<b>Environmental class (during operation)</b>	Class 3C3 according to IEC 60721-3-3 Class 3S3 according to IEC 60721-3-3
<b>Maximum acceleration under shock impact (during operation)</b>	70 m/s <sup>2</sup> at 22 ms
<b>Maximum acceleration under vibrational stress (during operation)</b>	5 m/s <sup>2</sup> at 9...200 Hz
<b>Maximum deflection under vibratory load (during operation)</b>	1.5 mm at 2...9 Hz
<b>Permitted relative humidity (during operation)</b>	Class 3K5 according to EN 60721-3
<b>Volume of cooling air</b>	33814.6 Gal/hr(US) (128.0 m3/h)
<b>Type of cooling</b>	Forced convection
<b>Overvoltage category</b>	Class III

Regulation loop	Adjustable PID regulator
Noise level	56.7 dB
Pollution degree	2
Ambient air transport temperature	-40.0000000000...158.0000000000 °F (-40...70 °C)
Ambient air temperature for operation	5.0000000000...122.0000000000 °F (-15...50 °C) without derating vertical position) 122.0000000000...140.0000000000 °F (50...60 °C) with derating factor vertical position)
Ambient Air Temperature for Storage	-40.0000000000...158.0000000000 °F (-40...70 °C)
Isolation	Between power and control terminals

## Ordering and shipping details

Category	US1CP4B22183
Discount Schedule	CP4B
GTIN	3606480967085
Returnability	Yes
Country of origin	ID

## Packing Units

Unit Type of Package 1	PCE
Number of Units in Package 1	1
Package 1 Height	11.732 in (29.800 cm)
Package 1 Width	21.575 in (54.800 cm)
Package 1 Length	13.268 in (33.700 cm)
Package 1 Weight	26.213 lb(US) (11.890 kg)
Unit Type of Package 2	P06
Number of Units in Package 2	2
Package 2 Height	29.528 in (75.000 cm)
Package 2 Width	23.622 in (60.000 cm)
Package 2 Length	31.496 in (80.000 cm)
Package 2 Weight	81.086 lb(US) (36.780 kg)

## Sustainability

**Green Premium™ label** is Schneider Electric's commitment to delivering products with best-in-class environmental performance. Green Premium promises compliance with the latest regulations, transparency on environmental impacts, as well as circular and low-CO<sub>2</sub> products.

**Guide to assessing product sustainability** is a white paper that clarifies global eco-label standards and how to interpret environmental declarations.

[Learn more about Green Premium >](#)

[Guide to assess a product's sustainability >](#)



Transparency RoHS/REACH

## Resource performance

Upgraded Components Available

## Well-being performance

Mercury Free

Rohs Exemption Information Yes

## Certifications & Standards

Reach Regulation [REACH Declaration](#)

Eu Rohs Directive Pro-active compliance (Product out of EU RoHS legal scope)

China Rohs Regulation [China RoHS declaration](#)

Environmental Disclosure [Product Environmental Profile](#)

Weee The product must be disposed on European Union markets following specific waste collection and never end up in rubbish bins.

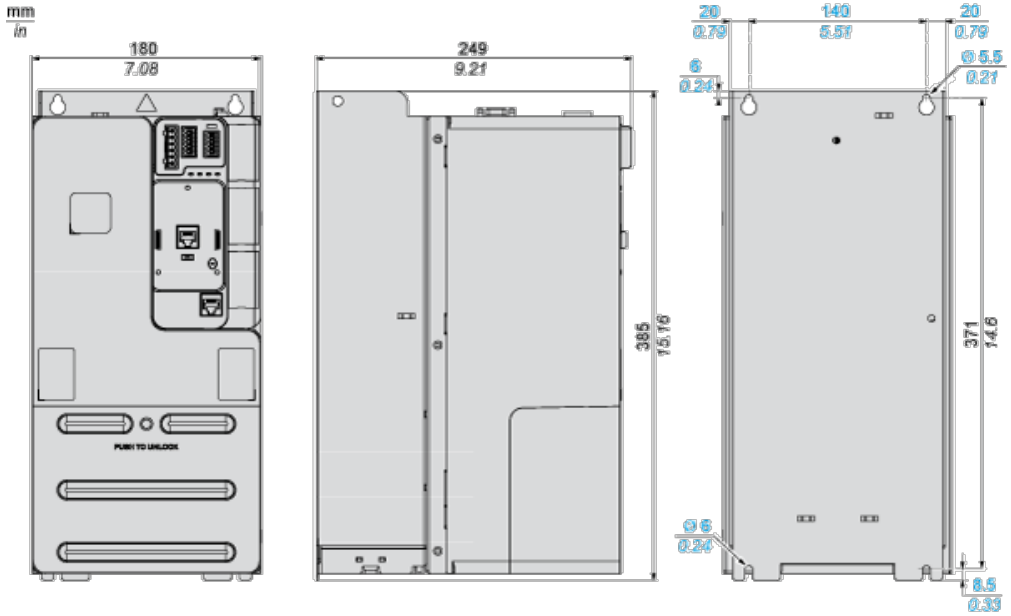
Circularity Profile [End of Life Information](#)

California Proposition 65 WARNING: This product can expose you to chemicals including: Lead and lead compounds, which is known to the State of California to cause cancer and birth defects or other reproductive harm. For more information go to [www.P65Warnings.ca.gov](http://www.P65Warnings.ca.gov)

Dimensions Drawings

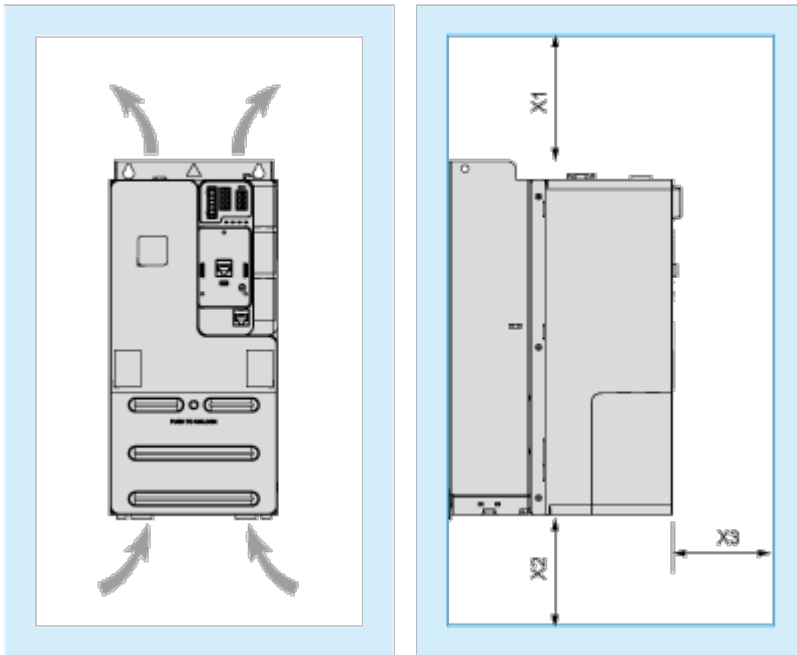
Dimensions

Views: Front - Left - Rear



Mounting and Clearance

Clearance



Dimensions in mm

X1	X2	X3
≅ 100	≅ 100	≅ 60

Dimensions in in.

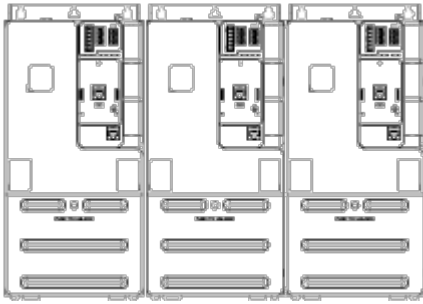
X1	X2	X3
≅ 3.94	≅ 3.94	≅ 2.36



**Mounting Types**

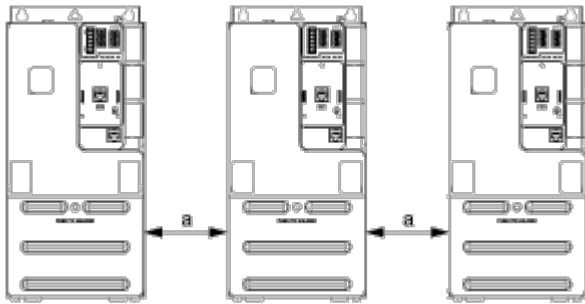
---


**Mounting Type A: Side by Side IP20**



Possible, at ambient temperature  $\leq 50\text{ }^{\circ}\text{C}$  (122  $^{\circ}\text{F}$ )

**Mounting Type B: Individual IP20**



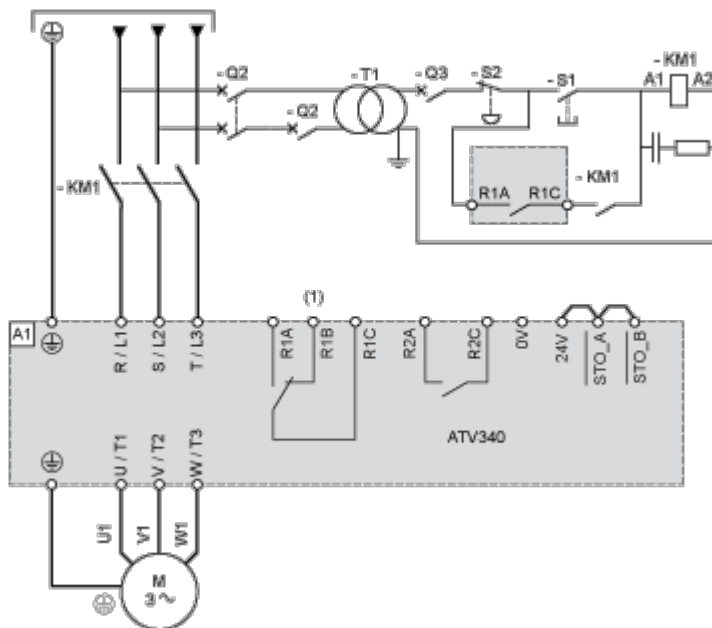
a  50 mm (1.97 in.) from 50...60 $^{\circ}\text{C}$ , no restriction below 50 $^{\circ}\text{C}$

Connections and Schema

Connections and Schema

Three-phase Power Supply with Upstream Breaking via Line Contactor Without Safety Function STO

Connection diagrams conforming to standards ISO13849 category 1 and IEC/EN 61508 capacity SIL1, stopping category 0 in accordance with standard IEC/EN 60204-1.



(1) Use relay output R1 set to operating state Fault to switch Off the product once an error is detected.

A1 : Drive

KM1 : Line Contactor

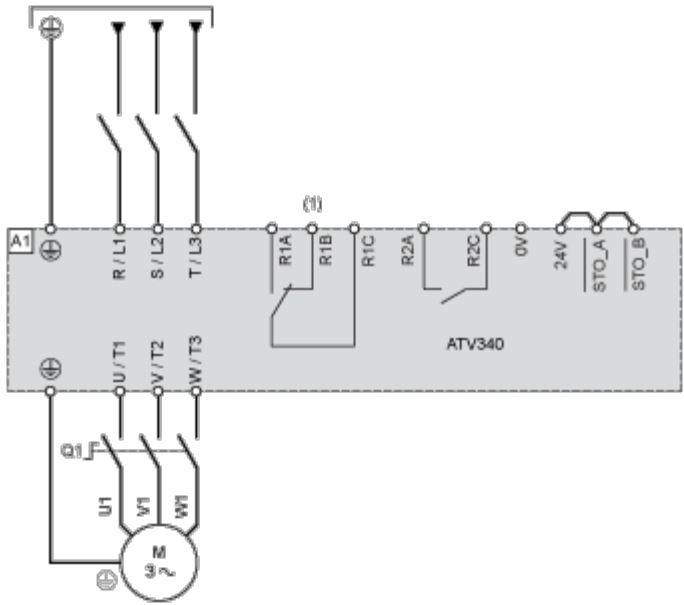
Q2, Q3 : Circuit breakers

S1 : Pushbutton

S2 : Emergency stop

T1 : Transformer for control part

Three-phase Power Supply With Downstream Breaking via Switch Disconnecter

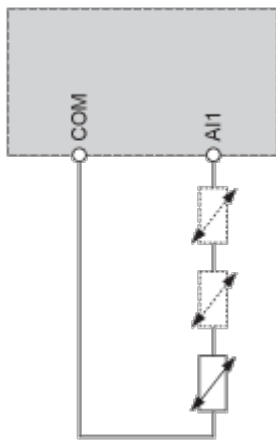


(1) Use relay output R1 set to operating state Fault to switch Off the product once an error is detected.

A1 : Drive

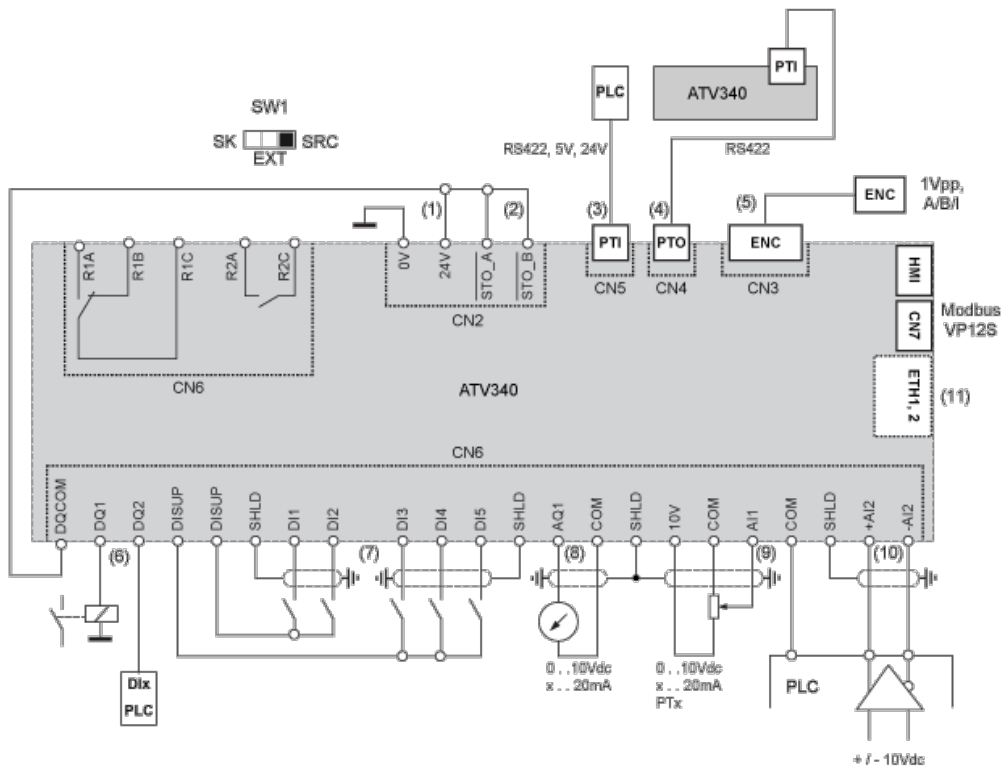
Q1 : Switch disconnector

**Sensor Connection**



It is possible to connect either 1 or 3 sensors on terminals AI1.

Control Block Wiring Diagram



- (1) 24V supply (STO)
- (2) STO - Safe Torque Off
- (3) PTI - Pulse Train In
- (4) PTO - Pulse Train Out
- (5) Motor Encoder connection
- (6) Digital outputs
- (7) Digital inputs
- (8) Analog output
- (9) Analog input
- (10) Differential Analog Input
- (11) Ethernet port (only on Ethernet drive version)

SW1 : Sink/Source switch

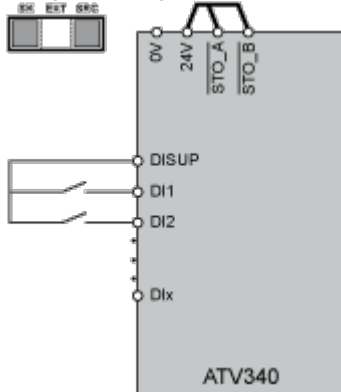
R1A, R1B, R1C : Fault relay

R2A, R2C : Sequence relay

Digital Inputs Wiring

Digital Inputs: Internal Supply

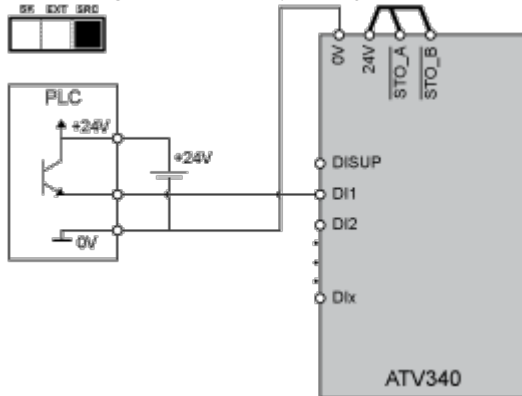
Using DISUP Signal



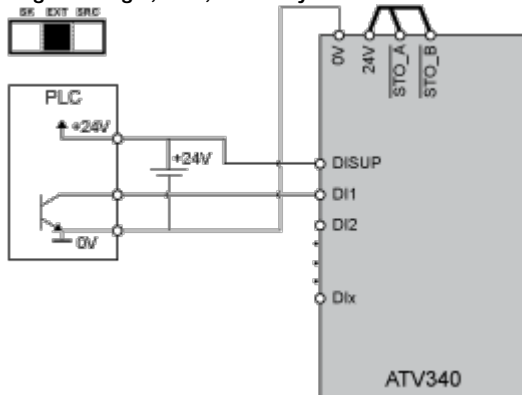
In SRC position DISUP outputs 24 V. In SK position DISUP is connected to 0 V.

Digital Inputs: External Supply

Positive Logic, Source, European Style

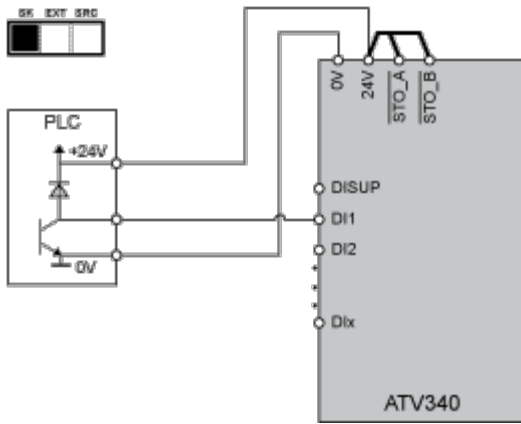


Negative Logic, Sink, Asian Style



Digital Inputs: Internal supply

Negative Logic, Sink, Asian Style

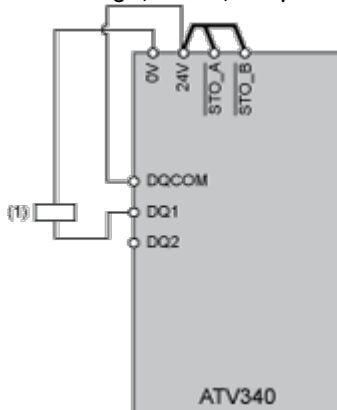


Digital Outputs Wiring

---

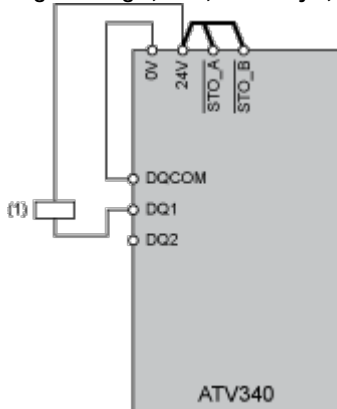
Digital Outputs: Internal Supply

Positive Logic, Source, European Style, DQCOM to +24V



(1) Relay or valve

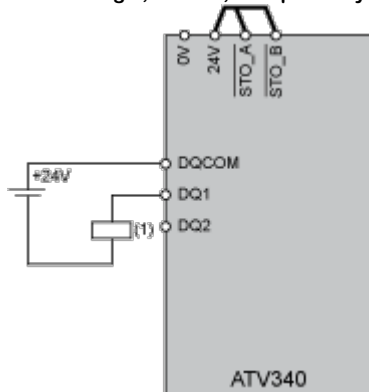
Negative Logic, Sink, Asian Style, DQCOM to 0V



(1) Relay or valve

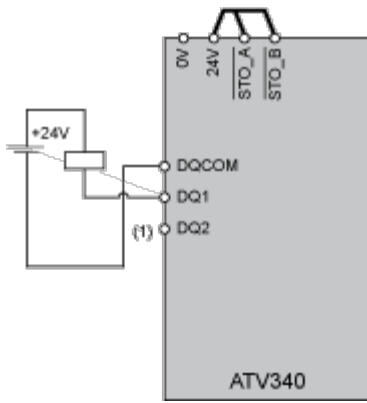
Digital Outputs: External Supply

Positive Logic, Source, European Style, DQCOM to +24V



(1) Relay or valve

Negative Logic, Sink, Asian Style, DQCOM to 0V



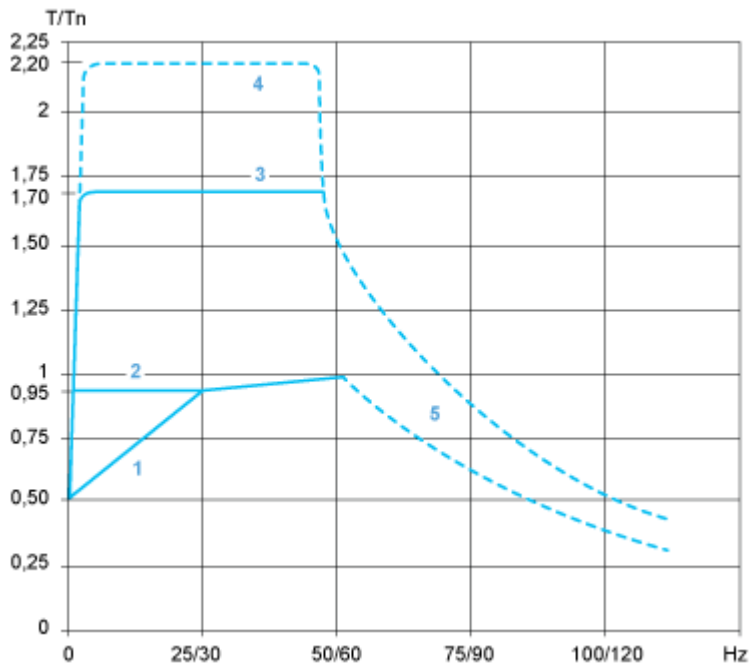
(1) Relay or valve



Performance Curves

Open Loop Applications

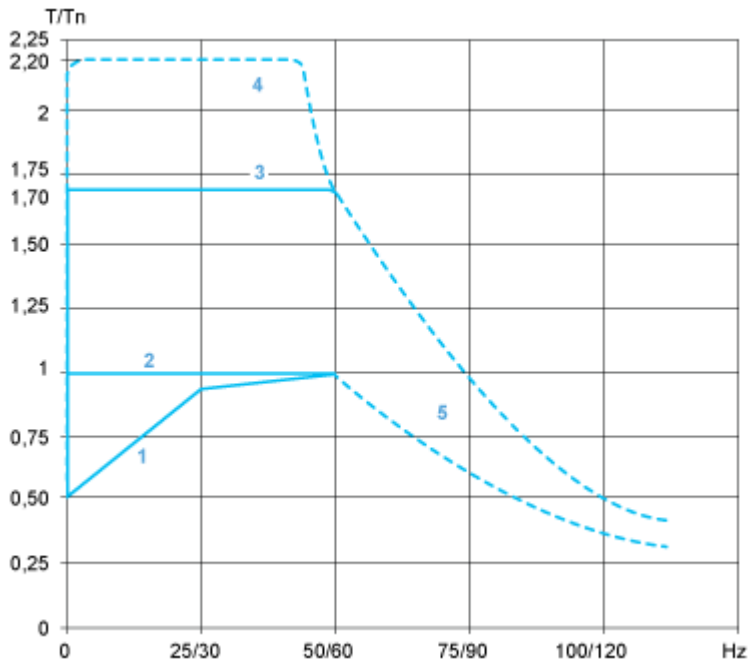
---



- 1 : Self-cooled motor: continuous useful torque
- 2 : Force-cooled motor: continuous useful torque
- 3 : Overtorque for 60 s maximum
- 4 : Transient overtorque for 2 s maximum
- 5 : Torque in overspeed at constant power

Closed Loop Applications

---



- 1 : Self-cooled motor: continuous useful torque
- 2 : Force-cooled motor: continuous useful torque
- 3 : Overtorque for 60 s maximum
- 4 : Transient overtorque for 2 s maximum
- 5 : Torque in overspeed at constant power