

Product datasheet

Specifications



soft starter for asynchronous motor - ATS48 - 81 A - 230..415 V - 18.5..75 KW

ATS48D88Q

⚠ Discontinued on: Aug 7, 2023

⚠ To be end-of-service on: Dec 31, 2030

⚠ Discontinued - Service only

Main

| | |
|------------------------------|--|
| Range of product | Altistart 48 |
| Product or component type | Soft starter |
| product destination | Asynchronous motors |
| Product specific application | Heavy duty industry and pumps |
| Device short name | ATS48 |
| Utilisation category | AC-53A |
| Ue power supply voltage | 230...415 V - 15...10 % |
| power supply frequency | 50...60 Hz - 5...5 % |
| Motor power kW | 55 kW at 400 V connection to the motor delta terminals for severe applications 75 kW at 400 V connection to the motor delta terminals for standard applications 18.5 kW at 230 V connection in the motor supply line for severe applications 22 kW at 230 V connection in the motor supply line for standard applications 37 kW at 230 V connection to the motor delta terminals for severe applications 37 kW at 400 V connection in the motor supply line for severe applications 45 kW at 230 V connection to the motor delta terminals for standard applications 45 kW at 400 V connection in the motor supply line for standard applications |

Complementary

| | |
|------------------------|--|
| Device connection | To the motor delta terminals In the motor supply line |
| Protection type | Phase failure: line Thermal protection: motor Thermal protection: starter |
| Standards | EN/IEC 60947-4-2 |
| Product certifications | CCC CSA SEPRO UL C-Tick GOST NOM 117 TCF DNV |
| Marking | CE |
| Discrete input number | 5 |
| Discrete input type | PTC, 750 Ohm at 25 °C (Stop, Run, LI3, LI4) logic, <= 8 mA 4300 Ohm |
| Discrete input logic | Positive logic Stop, Run, LI3, LI4 at State 0: < 5 V and <= 2 mA at State 1: > 11 V, >= 5 mA |

Price is "List Price" and may be subject to a trade discount – check with your local distributor or retailer for actual price.

| | |
|------------------------------------|---|
| Minimum switching current | 10 mA at 6 V DC for relay outputs |
| Discrete output number | 2 |
| Discrete output type | (LO1) logic output 0 V common configurable (LO2) logic output 0 V common configurable (R1) relay outputs fault relay NO (R2) relay outputs end of starting relay NO (R3) relay outputs motor powered NO |
| Analogue output type | Current output AO: 0-20 mA or 4-20 mA, impedance <500 Ohm |
| Communication port protocol | Modbus |
| Connector type | 1 RJ45 |
| Communication data link | Serial |
| Physical interface | RS485 multidrop |
| Transmission rate | 4800, 9600 or 19200 bps |
| Function available | External bypass (optional) |
| Operating position | Vertical +/- 10 degree |
| Height | 290 mm |
| Width | 190 mm |
| Depth | 235 mm |
| Net weight | 8.3 kg |

Environment

| | |
|--|--|
| Electromagnetic compatibility | Conducted and radiated emissions level A conforming to IEC 60947-4-2 Conducted and radiated emissions level B conforming to IEC 60947-4-2 Damped oscillating waves level 3 conforming to IEC 61000-4-12 Electrostatic discharge level 3 conforming to IEC 61000-4-2 Immunity to electrical transients level 4 conforming to IEC 61000-4-4 Immunity to radiated radio-electrical interference level 3 conforming to IEC 61000-4-3 Voltage/current impulse level 3 conforming to IEC 61000-4-5 |
| Relative humidity | 0...95 % without condensation or dripping water conforming to EN/IEC 60068-2-3 |
| Ambient air temperature for operation | 40...60 °C (with current derating of 2 % per °C) -10...40 °C (without derating) |
| ambient air temperature for storage | -25...70 °C |
| Operating altitude | <= 1000 m without derating > 1000...2000 m with current derating of 2.2 % per additional 100 m |

Packing Units

| | |
|-------------------------------------|----------|
| Unit Type of Package 1 | PCE |
| Number of Units in Package 1 | 1 |
| Package 1 Height | 35.2 cm |
| Package 1 Width | 35.8 cm |
| Package 1 Length | 44.8 cm |
| Package 1 Weight | 9.204 kg |
| Unit Type of Package 2 | P06 |
| Number of Units in Package 2 | 2 |
| Package 2 Height | 73.5 cm |
| Package 2 Width | 80.0 cm |
| Package 2 Length | 60.0 cm |

| | |
|------------------|-----------|
| Package 2 Weight | 31.896 kg |
|------------------|-----------|

Contractual warranty

| | |
|----------|-----------|
| Warranty | 18 months |
|----------|-----------|

Sustainability


Green Premium™ label is Schneider Electric's commitment to delivering products with best-in-class environmental performance. Green Premium promises compliance with the latest regulations, transparency on environmental impacts, as well as circular and low-CO₂ products.

Guide to assessing product sustainability is a white paper that clarifies global eco-label standards and how to interpret environmental declarations.

[Learn more about Green Premium >](#)

[Guide to assess a product's sustainability >](#)

Well-being performance

 Mercury Free

 Rohs Exemption Information [Yes](#)

Reach Regulation [REACH Declaration](#)

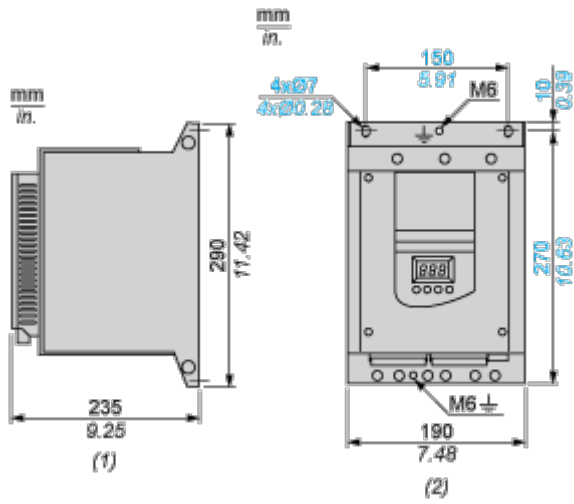
Eu Rohs Directive Pro-active compliance (Product out of EU RoHS legal scope)

China Rohs Regulation [China RoHS declaration](#)

Weee The product must be disposed on European Union markets following specific waste collection and never end up in rubbish bins

Dimensions Drawings

Dimensions



(1) Right View
(2) Front View

Mounting and Clearance

Clearance

