

# Product datasheet

Specifications



soft starter for asynchronous motor,  
Altistart 48, 21A, 230..415V,  
4..18.5kW

ATS48D22Q

⚠ Discontinued on: 31-Dec-2023

⚠ To be end-of-service on: 31-Dec-2030

⚠ Discontinued

## Main

|                              |   |
|------------------------------|---|
| Range of product             | Altistart 48  |
| product or component type    | Soft starter  |
| product destination          | Asynchronous motors   |
| Product specific application | Heavy duty industry and pumps   |
| Device short name            | ATS48   |
| Utilisation category         | AC-53A  |
| Ue power supply voltage      | 230...415 V - 15...10 %   |
| power supply frequency       | 50...60 Hz - 5...5 %  |
| Motor power kW               | 7.5 kW at 230 V connection to the motor delta terminals for severe applications<br>7.5 kW at 400 V connection in the motor supply line for severe applications<br>9 kW at 230 V connection to the motor delta terminals for standard applications<br>11 kW at 400 V connection in the motor supply line for standard applications<br>15 kW at 400 V connection to the motor delta terminals for severe applications<br>18.5 kW at 400 V connection to the motor delta terminals for standard applications<br>4 kW at 230 V connection in the motor supply line for severe applications<br>5.5 kW at 230 V connection in the motor supply line for standard applications |

## Complementary

|                        |  |
|------------------------|--|
| Device connection      | To the motor delta terminals<br>In the motor supply line                                     |
| Protection type        | Phase failure: line<br>Thermal protection: motor<br>Thermal protection: starter              |
| Standards              | EN/IEC 60947-4-2   |
| Product certifications | SEPRO<br>UL<br>CCC<br>DNV<br>CSA<br>TCF<br>C-Tick<br>NOM 117<br>GOST                         |
| marking                | CE   |
| Discrete input number  | 5  |
| Discrete input type    | PTC, 750 Ohm at 25 °C<br>(Stop, Run, LI3, LI4) logic, <= 8 mA 4300 Ohm                       |
| Discrete input logic   | Positive logic Stop, Run, LI3, LI4 at State 0: < 5 V and <= 2 mA at State 1: > 11 V, >= 5 mA |

|                                    |   |
|------------------------------------|---|
| <b>Minimum switching current</b>   | 10 mA at 6 V DC for relay outputs   |
| <b>Discrete output number</b>      | 2   |
| <b>Discrete output type</b>        | (LO1) logic output 0 V common configurable<br>(LO2) logic output 0 V common configurable<br>(R1) relay outputs fault relay NO<br>(R2) relay outputs end of starting relay NO<br>(R3) relay outputs motor powered NO |
| <b>Analogue output type</b>        | Current output AO: 0-20 mA or 4-20 mA, impedance <500 Ohm   |
| <b>Communication port protocol</b> | Modbus  |
| <b>Connector type</b>              | 1 RJ45  |
| <b>Communication data link</b>     | Serial  |
| <b>Physical interface</b>          | RS485 multidrop   |
| <b>Transmission rate</b>           | 4800, 9600 or 19200 bps   |
| <b>Function available</b>          | External bypass (optional)  |
| <b>Operating position</b>          | Vertical +/- 10 degree  |
| <b>Height</b>                      | 275 mm  |
| <b>Width</b>                       | 160 mm  |
| <b>Depth</b>                       | 190 mm  |
| <b>net weight</b>                  | 4.9 kg  |

## Environment

|  |  |
|--|--|
| <b>Electromagnetic compatibility</b>         | Conducted and radiated emissions level A conforming to IEC 60947-4-2<br>Conducted and radiated emissions level B conforming to IEC 60947-4-2<br>Damped oscillating waves level 3 conforming to IEC 61000-4-12<br>Electrostatic discharge level 3 conforming to IEC 61000-4-2<br>Immunity to electrical transients level 4 conforming to IEC 61000-4-4<br>Immunity to radiated radio-electrical interference level 3 conforming to IEC 61000-4-3<br>Voltage/current impulse level 3 conforming to IEC 61000-4-5 |
| <b>Relative humidity</b>                     | 0...95 % without condensation or dripping water conforming to EN/IEC 60068-2-3   |
| <b>Ambient air temperature for operation</b> | 40...60 °C (with current derating of 2 % per °C)<br>-10...40 °C (without derating)   |
| <b>Ambient air temperature for storage</b>   | -25...70 °C  |
| <b>Operating altitude</b>                    | <= 1000 m without derating<br>> 1000...2000 m with current derating of 2.2 % per additional 100 m  |

## Packing Units

|                                     |           |
|-------------------------------------|-----------|
| <b>Unit Type of Package 1</b>       | PCE       |
| <b>Number of Units in Package 1</b> | 1         |
| <b>Package 1 Height</b>             | 29.000 cm |
| <b>Package 1 Width</b>              | 26.000 cm |
| <b>Package 1 Length</b>             | 37.000 cm |
| <b>Package 1 Weight</b>             | 5.701 kg  |
| <b>Unit Type of Package 2</b>       | P06       |
| <b>Number of Units in Package 2</b> | 8         |
| <b>Package 2 Height</b>             | 75.000 cm |
| <b>Package 2 Width</b>              | 60.000 cm |
| <b>Package 2 Length</b>             | 80.000 cm |

---

Package 2 Weight 58.608 kg

## Contractual warranty

---

Warranty 18 months

## Sustainability


**Green Premium™ label** is Schneider Electric's commitment to delivering products with best-in-class environmental performance. Green Premium promises compliance with the latest regulations, transparency on environmental impacts, as well as circular and low-CO<sub>2</sub> products.

**Guide to assessing product sustainability** is a white paper that clarifies global eco-label standards and how to interpret environmental declarations.

[Learn more about Green Premium >](#)

[Guide to assess a product's sustainability >](#)

## Well-being performance

 Mercury Free

 Rohs Exemption Information [Yes](#)

**Reach Regulation** [REACH Declaration](#)

**Eu Rohs Directive** Pro-active compliance (Product out of EU RoHS legal scope)

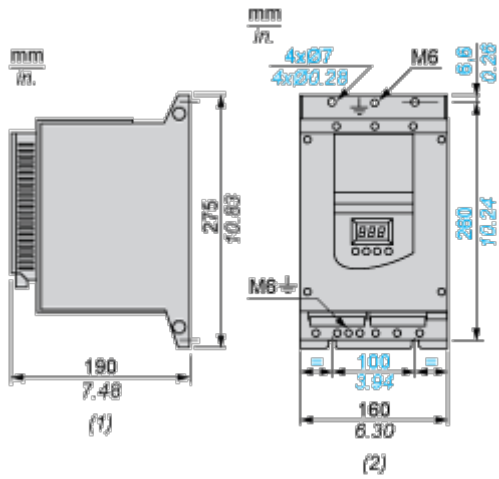
**China Rohs Regulation** [China RoHS declaration](#)

**Weee** The product must be disposed on European Union markets following specific waste collection and never end up in rubbish bins

Dimensions Drawings

Dimensions

---



(1) Right View  
(2) Front View

Mounting and Clearance

Clearance

---

